



175 x 146 x 50 mm



1,40 kg



Steel / electro galvanized



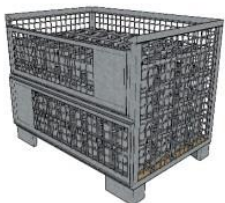
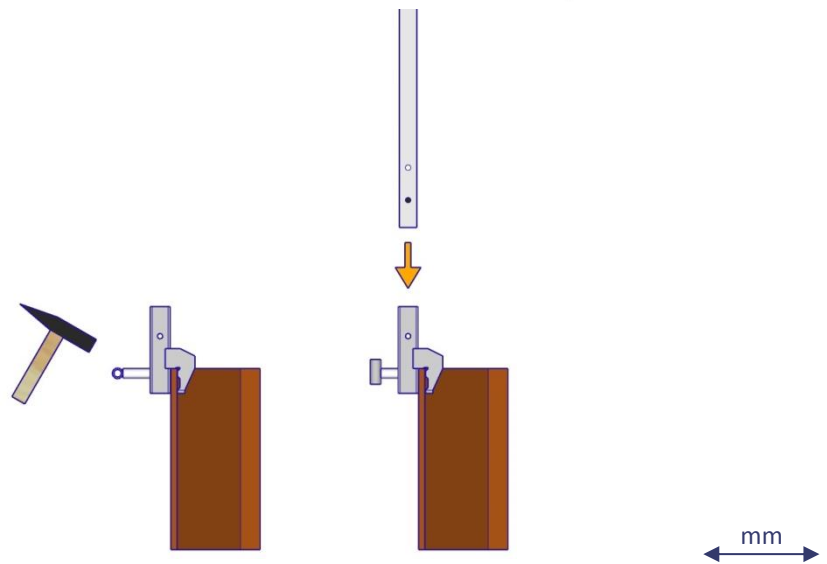
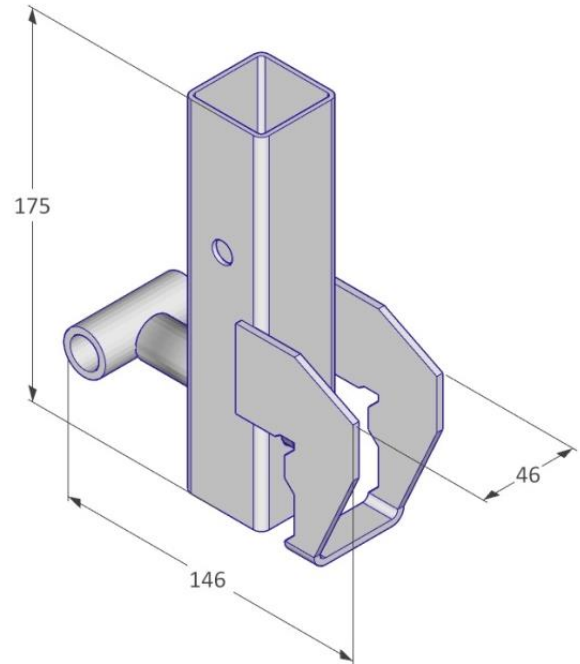
EN 13374, class A

Description

The VT Sheet Pile Clamp is used to clamp sheet piling profiles of 5-15 mm thickness.

Thanks to the integrated DW15 nut and the locking thread, this compact edge protection component is easy to install and impresses with its low weight.

Basically designed for vertical useage, the VT Sheet Pile Clamp accepts all common Vivatec square posts and forms the basis for standard edge protection on sheet piling.



500 pcs / Eurobox



1240 x 835 x 970 mm



770 kg

Means of Fixation

Assembly torque limit min. 60 Nm

General Safety

Health and Safety Regulation should be followed at all times. For more information → viva-tec.com/safety