



352 x 220 x 198 mm



4,43 kg



Steel / HDG

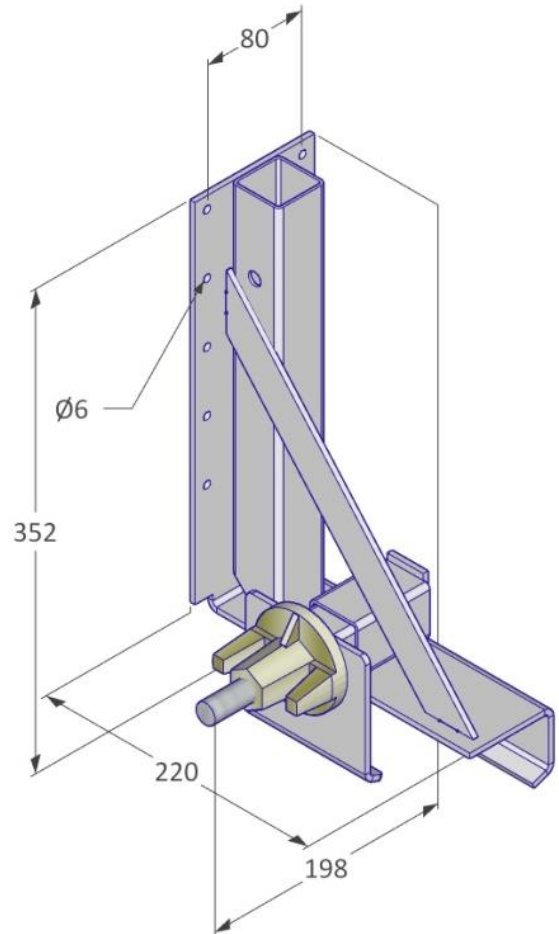


EN 13374, class A

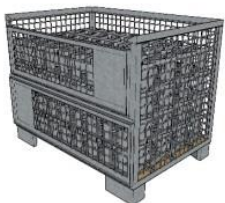
Description

The VT Timber Beam Clamp is used for mounting edge protection on 40 mm (on request also 60 mm) H20 beams. No tools are needed for proper assembly.

Furthermore this beam attachment is used as a formwork limit stop for stop-ends as well and can be optimally integrated into all common conventional formwork systems. The VT Timber Beam Clamp is compatible with all square Vivatec posts.



mm



75 pcs / Eurobox



1240 x 835 x 970 mm



403 kg

Means of Fixation

Assembly torque limit min. 60 Nm

General Safety

Health and Safety Regulation should be followed at all times. For more information → viva-tec.com/safety



352 x 220 x 198 mm



4,43 kg



Steel / HDG

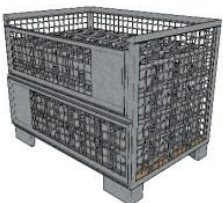
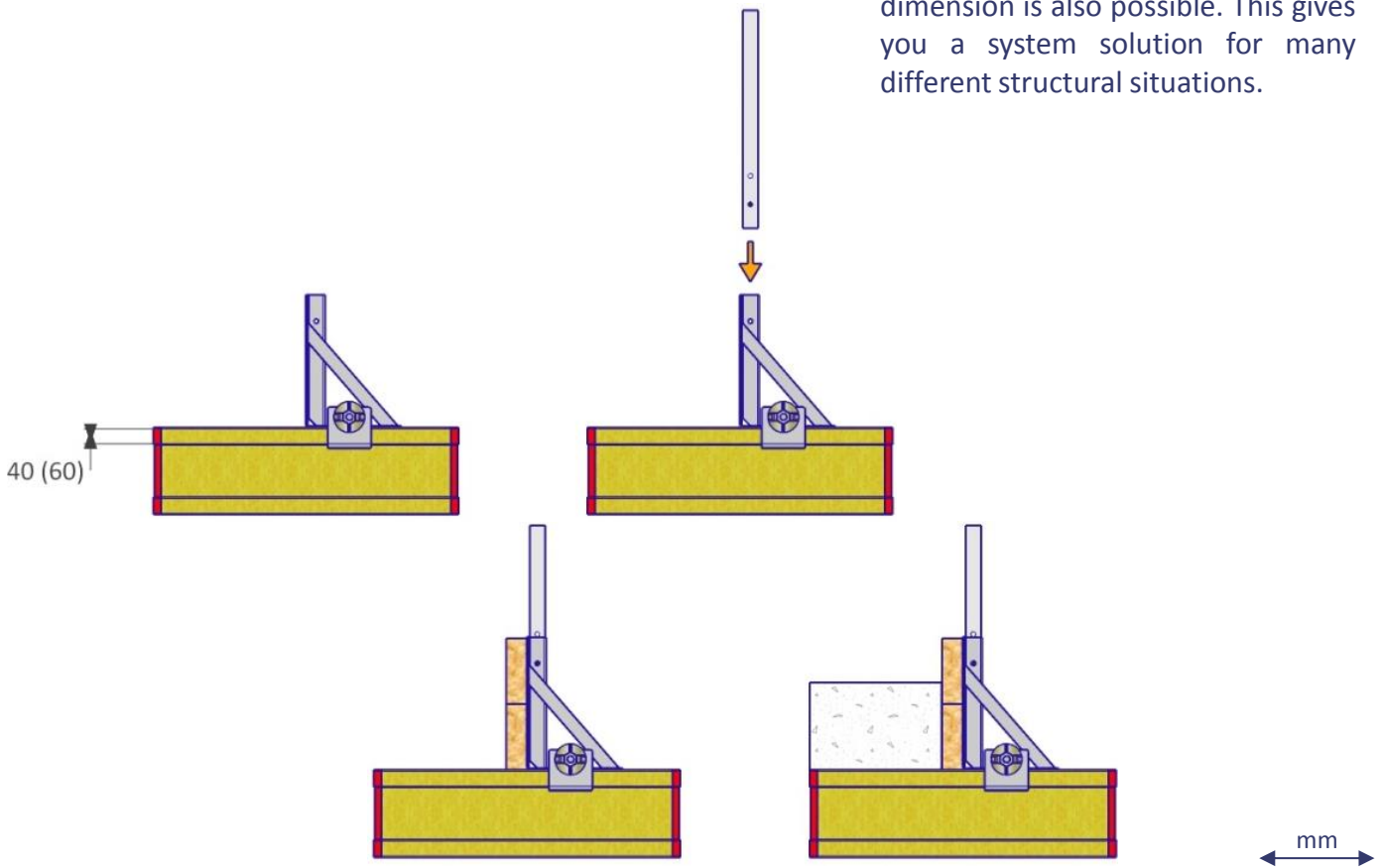


EN 13374, class A

Description

On request the VT Timber Beam Clamp can also be adapted so that it can be used on common aluminium beams.

A round post attachment for steel or aluminium posts with a $\varnothing 48,3$ dimension is also possible. This gives you a system solution for many different structural situations.



75 pcs / Eurobox



1240 x 835 x 970 mm



403 kg

Means of Fixation

Assembly torque limit min. 60 Nm

General Safety

Health and Safety Regulation should be followed at all times. For more information → viva-tec.com/safety