



350 x 220 x 50 mm



3,03 kg



Steel / HDG



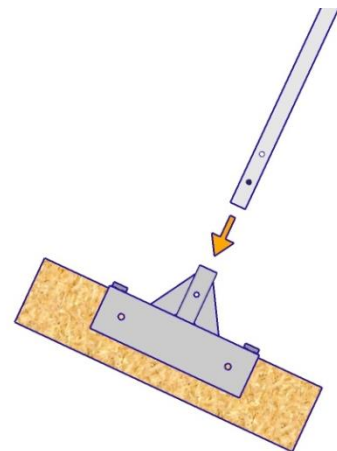
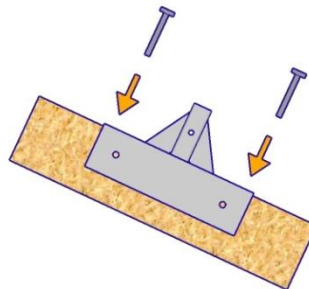
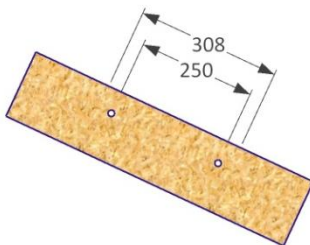
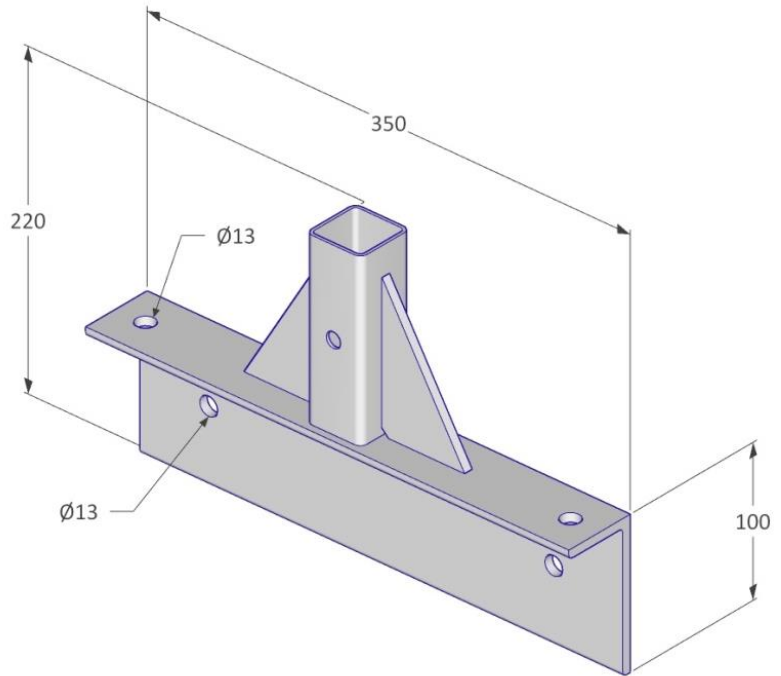
EN 13374, class C

Description

The VT Roof Attachment was designed to provide edge protection on inclined surfaces.

In combination with Vivatec edge protection posts and steel mesh barriers, it withstands dynamic influences.

The VT Roof Attachment can be flexibly attached to a wooden beam using two horizontally and two vertically placed drill holes.



mm



300 pcs / Eurobox



1240 x 835 x 970 mm



979 kg

Means of Fixation

Tensile load of the screws min. 10 kN
 → Würth ASSY 3.0 SK 12x400 mm or the like / better, assembly torque limit min. 60 Nm

General Safety

Health and Safety Regulation should be followed at all times. For more information → viva-tec.com/safety