



1500 x 35 x 35 mm



3,50 kg



Steel / HDG

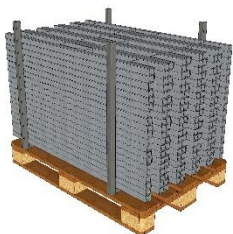
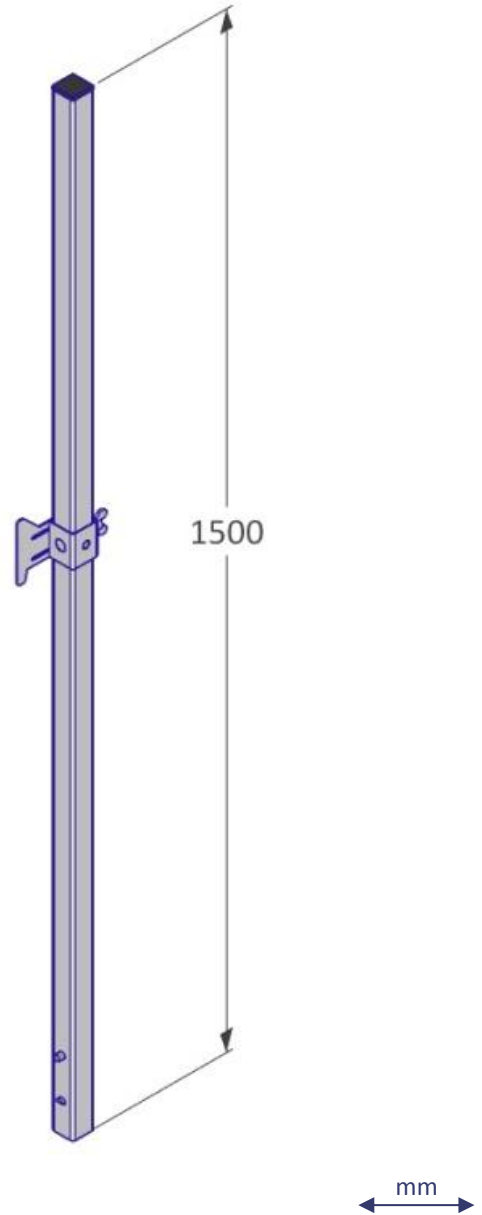


EN 13374, class A

### Description

The VT Post 1500 has been developed for permanent use with the Vivatec barriers. The height-adjustable VT Slider enables the barrier to be adjusted to the desired height. The VT Slider is part of the scope of delivery of the VT Post 1500.

Due to the hot-dip galvanized surface durable, and equipped with the Vivatec Easy Snap, the VT Post 1500 snaps securely into the attachment. In combination with steel mesh barriers or lumber it forms an easy-to-install edge protection.



200 pcs / Euro Pallet



1200 x 800 x 800 mm



720 kg

### General Safety

Health and Safety Regulation should be followed at all times. For more information → [viva-tec.com/safety](http://viva-tec.com/safety)



1500 x 35 x 35 mm



3,50 kg



Steel / HDG

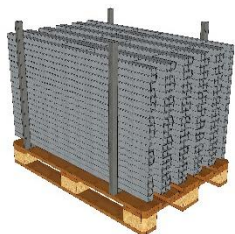
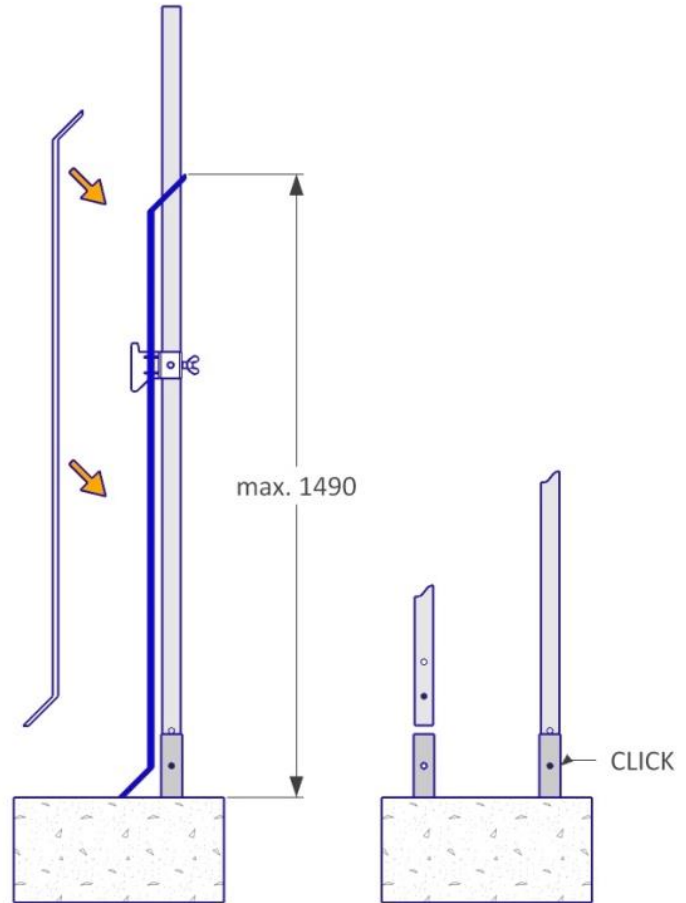
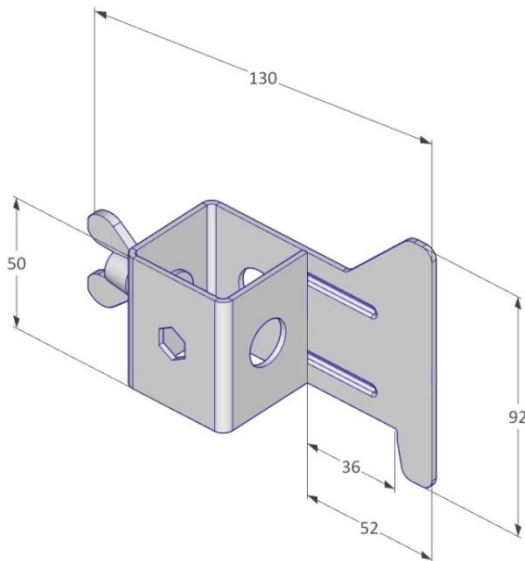


EN 13374, class A

*Part of the scope of delivery*

VT Slider

5100008



200 pcs / Euro Pallet



1200 x 800 x 800 mm



720 kg

#### General Safety

Health and Safety Regulation should be followed at all times. For more information → [viva-tec.com/safety](http://viva-tec.com/safety)