



1200 x 44 x 98 mm



3,60 kg



Steel / HDG

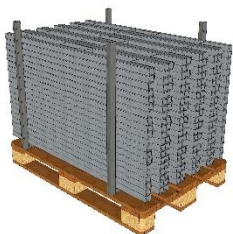
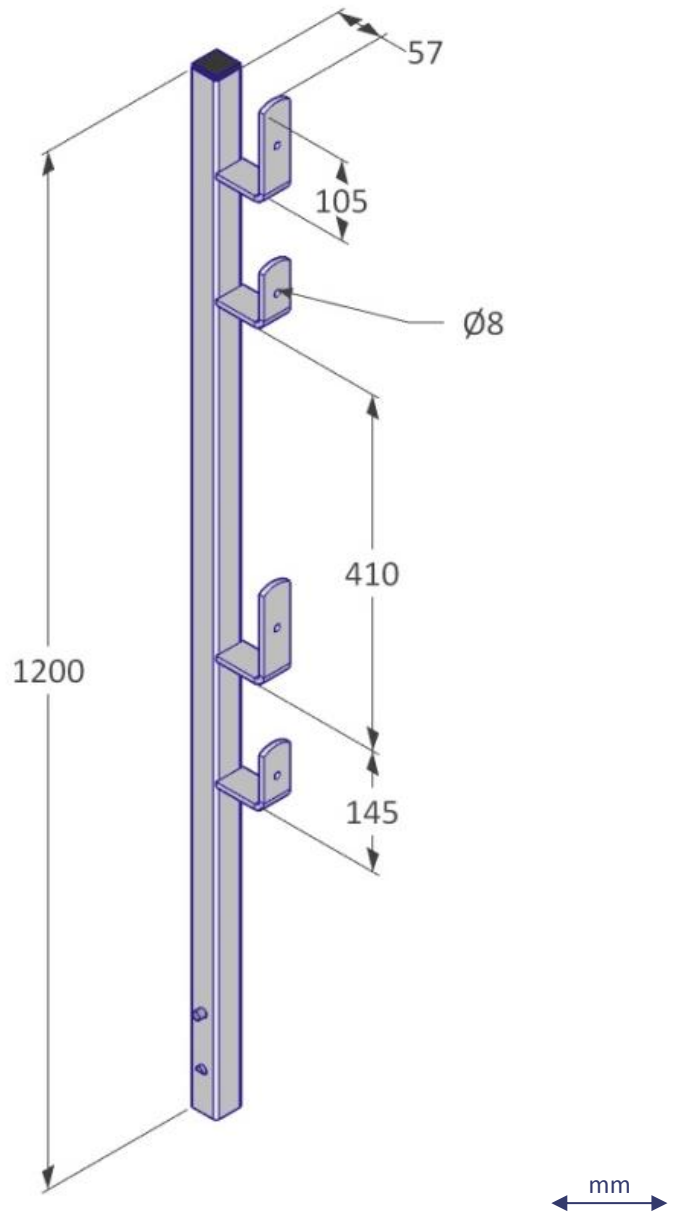


EN 13374, class A

### Description

The VT Scan Post 1200 is used for assembly of Vivatec barriers or three-part wooden edge protection in various thicknesses.

Due to the hot-dip galvanized surface durable, and equipped with the Vivatec Easy Snap, the VT Scan Post 1200 snaps securely into the attachment. In combination with steel mesh barriers or lumber it forms an easy-to-install edge protection.



100 pcs / Euro Pallet



1200 x 800 x 800 mm



380 kg

### General Safety

Health and Safety Regulation should be followed at all times. For more information → [viva-tec.com/safety](http://viva-tec.com/safety)



1200 x 44 x 98 mm



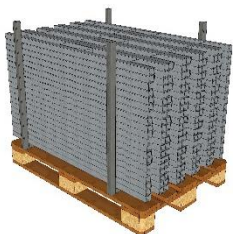
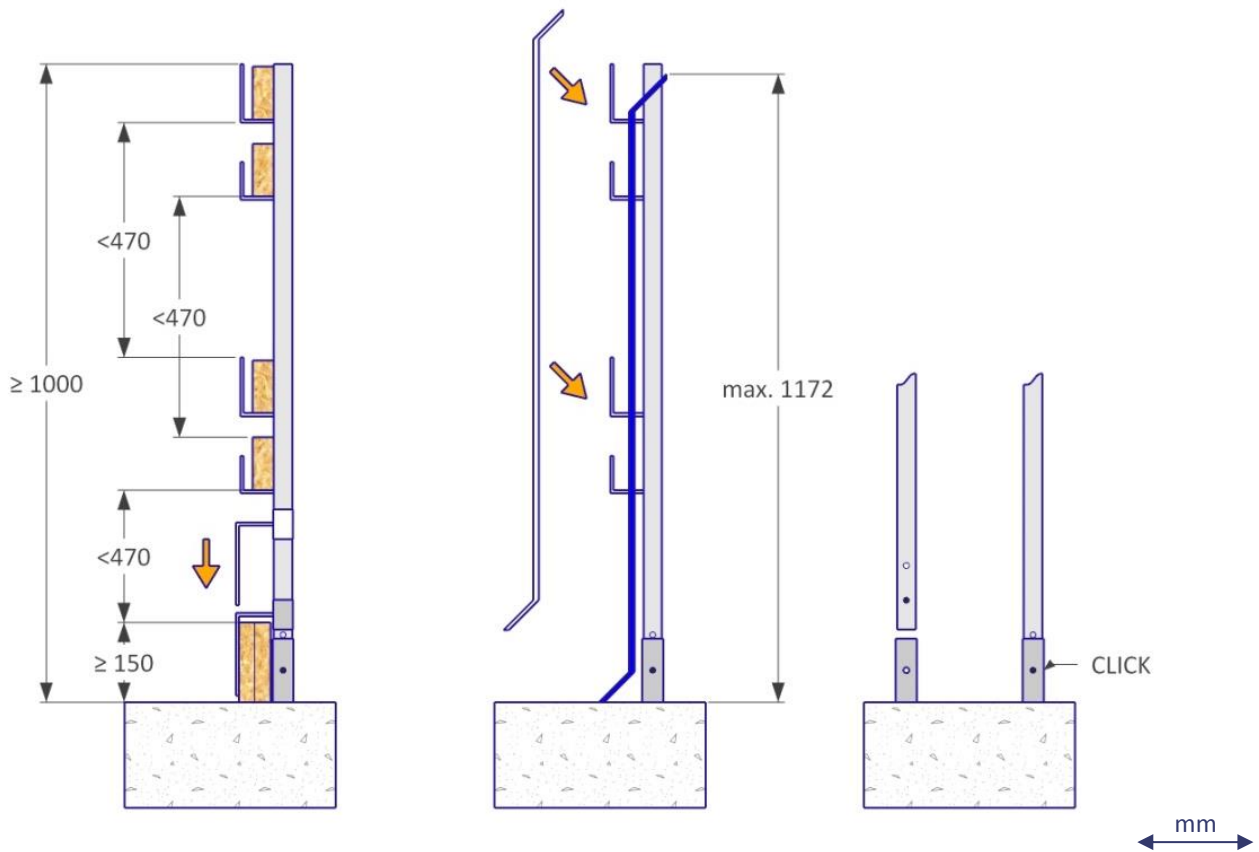
3,60 kg



Steel / HDG



EN 13374, class A



100 pcs / Euro Pallet



1200 x 800 x 800 mm



380 kg

### General Safety

Health and Safety Regulation should be followed at all times. For more information → [viva-tec.com/safety](http://viva-tec.com/safety)