

 730 x 240 x 40 mm

 4,13 kg

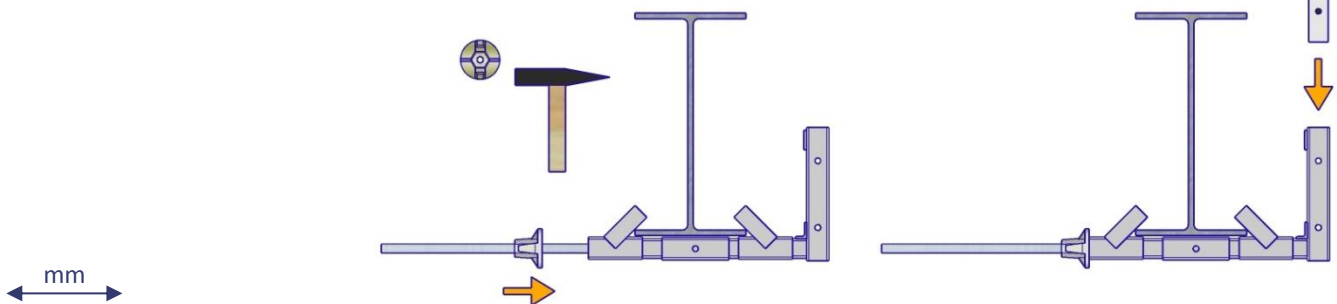
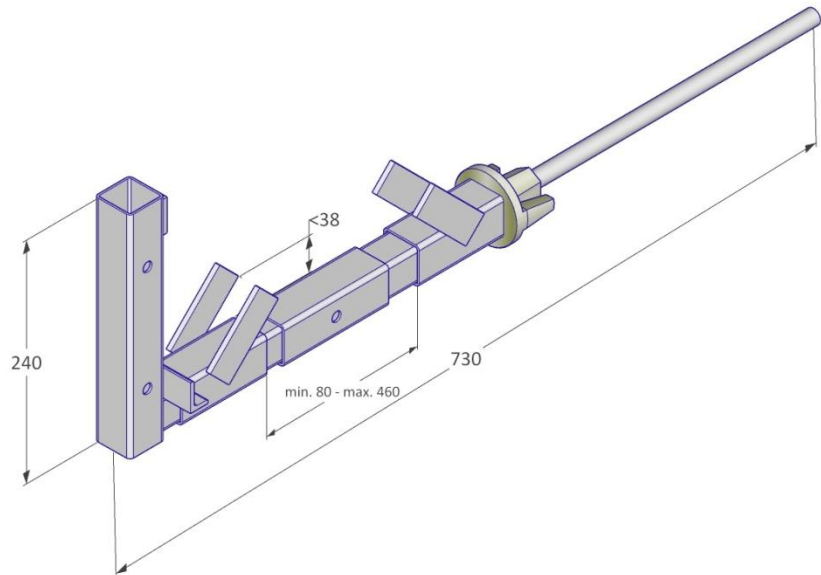
 Steel / HDG

 EN 13374, class A


Description


The VT Steelflange represents a safe basis for systemized edge protection on steel beams. The welded DW-15 thread makes it quick and easy to fix with the hammer.

The VT Steelflange enables clamping widths from 80 to 460 mm. The free-moving runners can be moved or removed depending on the measures of the respective steel beam.



 75 pcs / Eurobox

 1240 x 835 x 970 mm

 380 kg

Means of Fixation

Assembly torque limit min. 60 Nm

General Safety

Health and Safety Regulation should be followed at all times. For more information → viva-tec.com/safety