



424 x 370 x 145 mm



4,16 kg



Steel / HDG



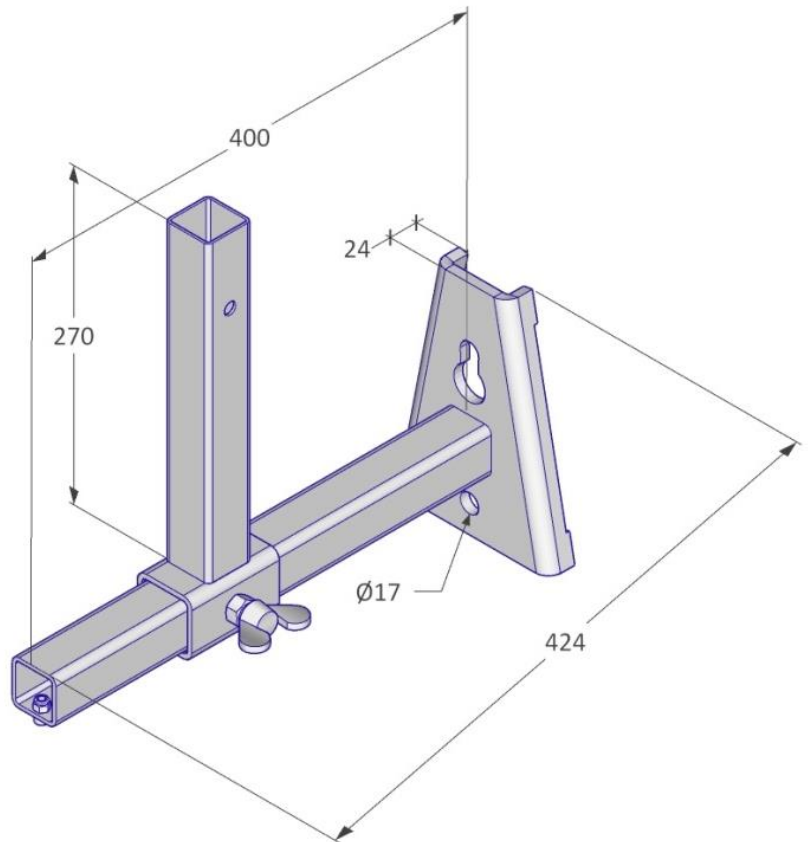
EN 13374, class A

Description

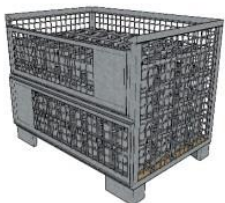
The VT Steelweb makes a sliding attachment of the edge protection of up to 350 mm.

It can be attached to walls and slab edges as well as to steel beams of any kind.

The pre-assembled wing screw for adjusting the post holder is part of the scope of delivery. The pre-assembled screw in the setting tube prevents the movable element from slipping out.



mm



75 pcs / Eurobox



1240 x 835 x 970 mm



382 kg

Means of Fixation

Tensile load of the screws min. 10 kN
 → Hilti HUS3-H10 L-130mm or the like / better, assembly torque limit min. 60 Nm

General Safety

Health and Safety Regulation should be followed at all times. For more information → viva-tec.com/safety



424 x 370 x 145 mm



4,16 kg

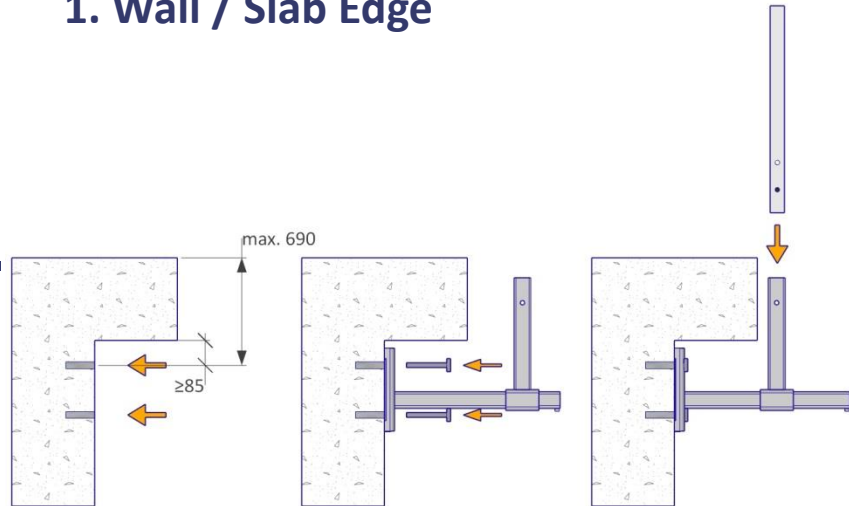


Steel / HDG

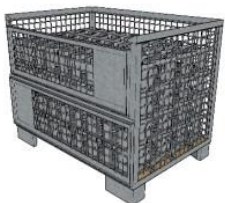
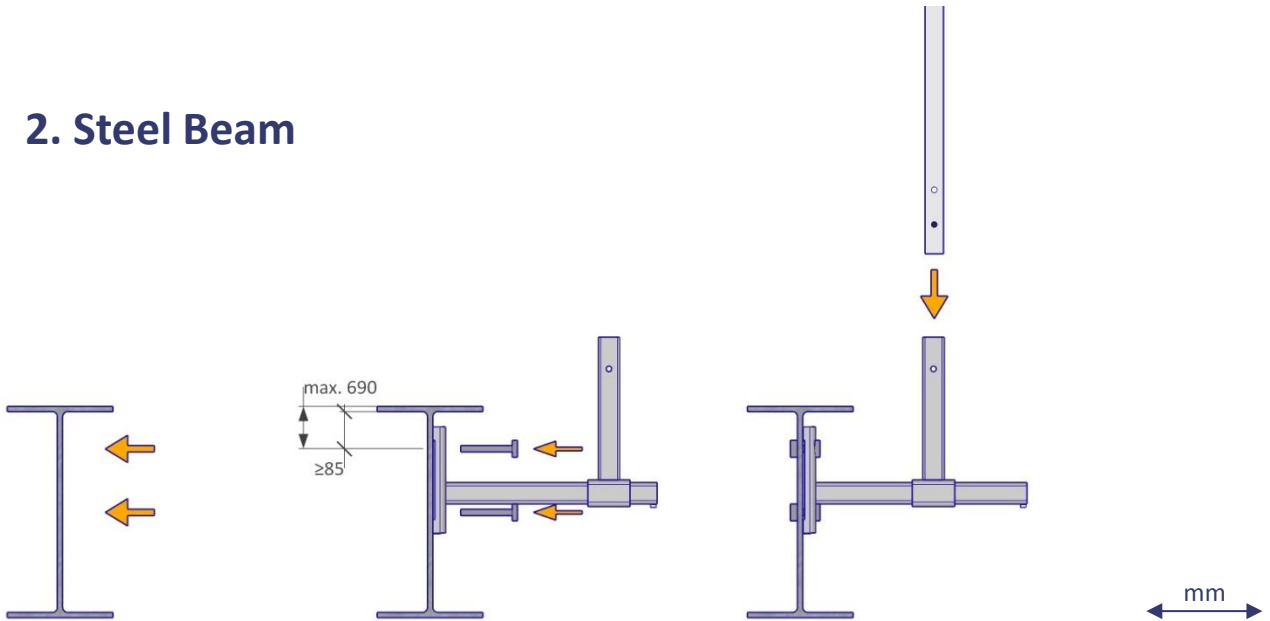


EN 13374, class A

1. Wall / Slab Edge



2. Steel Beam



75 pcs / Eurobox



1240 x 835 x 970 mm



382 kg

Means of Fixation

Tensile load of the screws min. 10 kN
 → Hilti HUS3-H10 L-130mm or the like / better, assembly torque limit min. 60 Nm

General Safety

Health and Safety Regulation should be followed at all times. For more information → viva-tec.com/safety