



140 x 80 x 80 mm



0,05 kg



Plastic



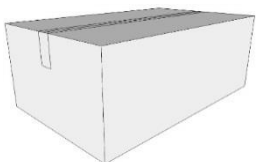
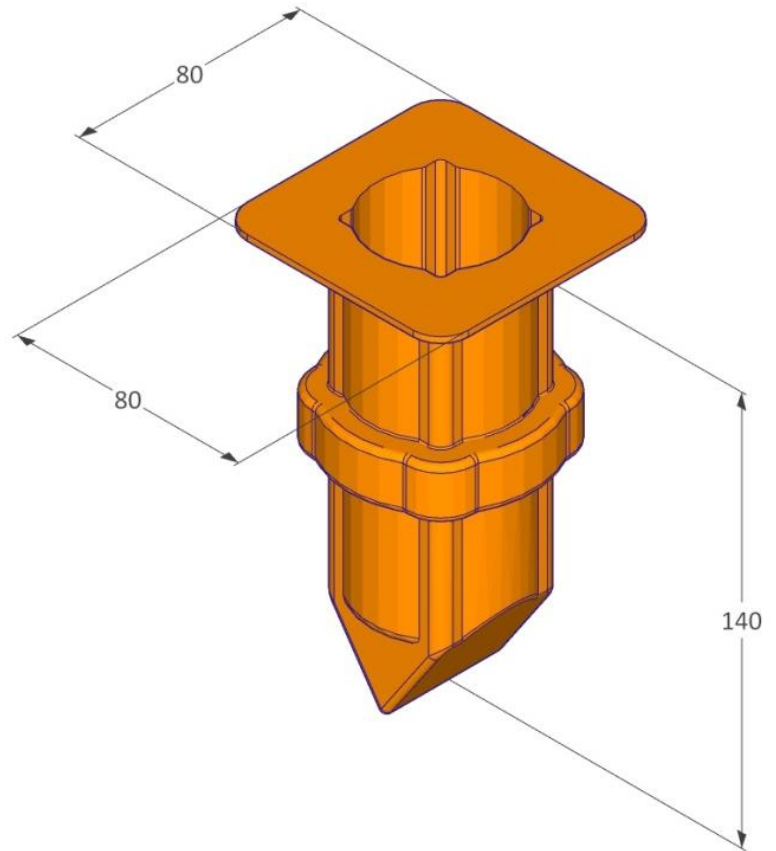
EN 13374, class A

Description

The VT Cast In is poured directly into the concrete on site and serves as a post attachment. This concreting sleeve, designed as a lost component, immensely shortens the time required to set up a structural edge protection after the concrete has hardened.

All square Vivatec posts can be used together with the VT Cast In. Via the locking of the Vivatec Easy Snap the Vivatec edge protection post is locked and prevented from being pulled out unintentionally.

The VT Cast In however is equipped with a cover that can be closed once the edge protection has been removed.



250 Stk. / carton



950 x 700 x 250 mm



12,5 kg

General Safety

Health and Safety Regulation should be followed at all times. For more information → viva-tec.com/safety



140 x 80 x 80 mm



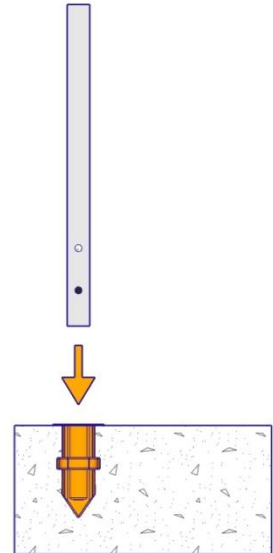
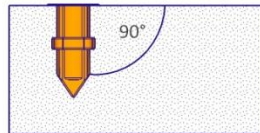
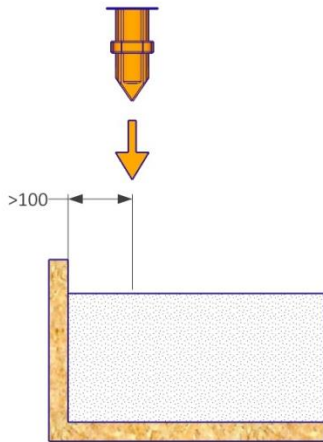
0,05 kg



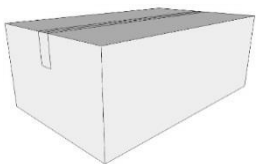
Plastic



EN 13374, class A



mm



250 Stk. / carton



950 x 700 x 250 mm



12,5 kg

General Safety

Health and Safety Regulation should be followed at all times. For more information → viva-tec.com/safety