



780 x 126 x 40 mm



1,62 kg

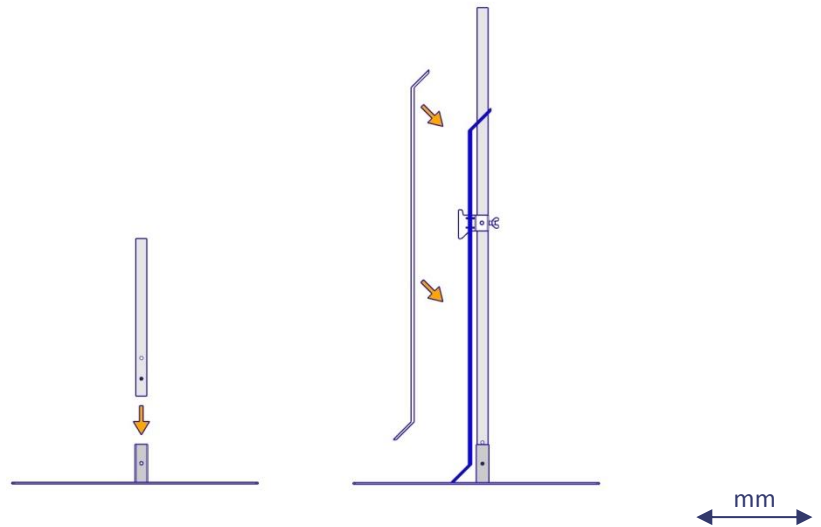
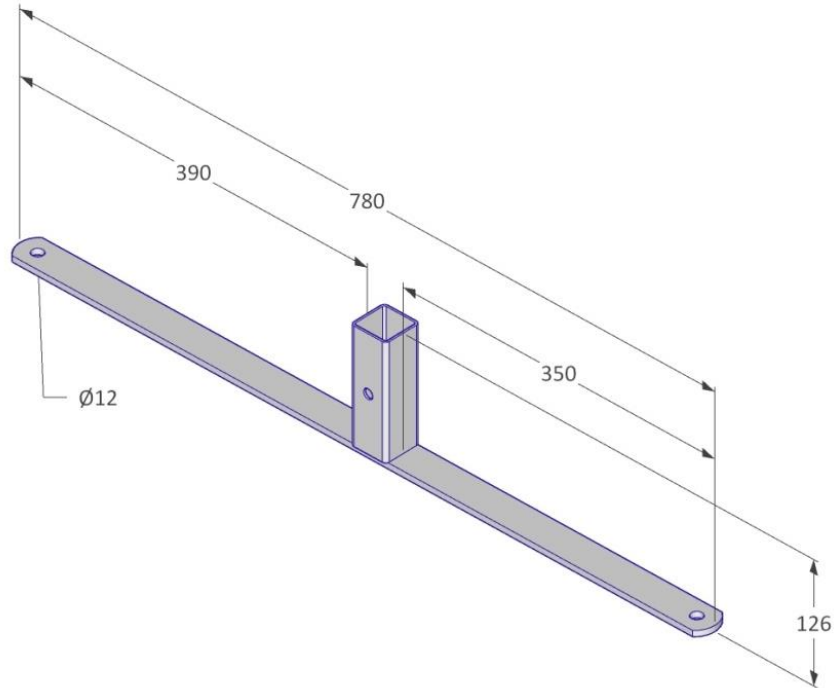
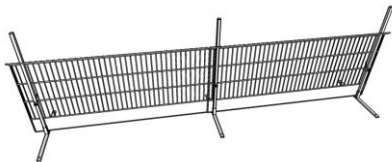


Steel / electro galvanized

Description

The VT Ground enables the use of Vivatec barriers as closing off. It is used to effectively block off dangerous areas, such as loading areas, excavations, access points etc. The VT Ground can be secured against slipping by using the appropriate drill holes.

It can also be weighted with a counterweight to prevent accidental movement.



250 pcs / Eurobox



1240 x 835 x 970 mm



475 kg

General Safety

Health and Safety Regulation should be followed at all times. For more information → viva-tec.com/safety