



495 x 183 mm



2,0 kg

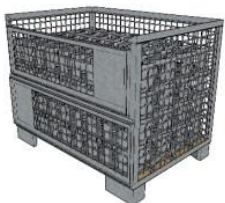
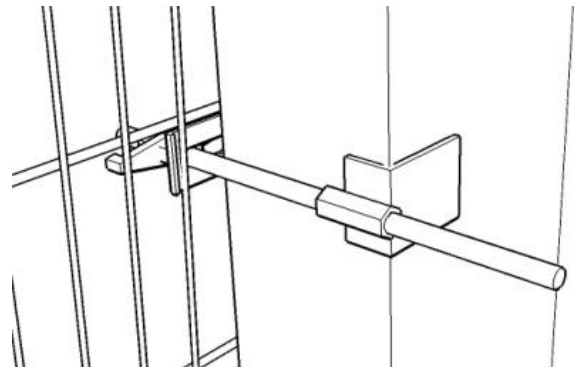
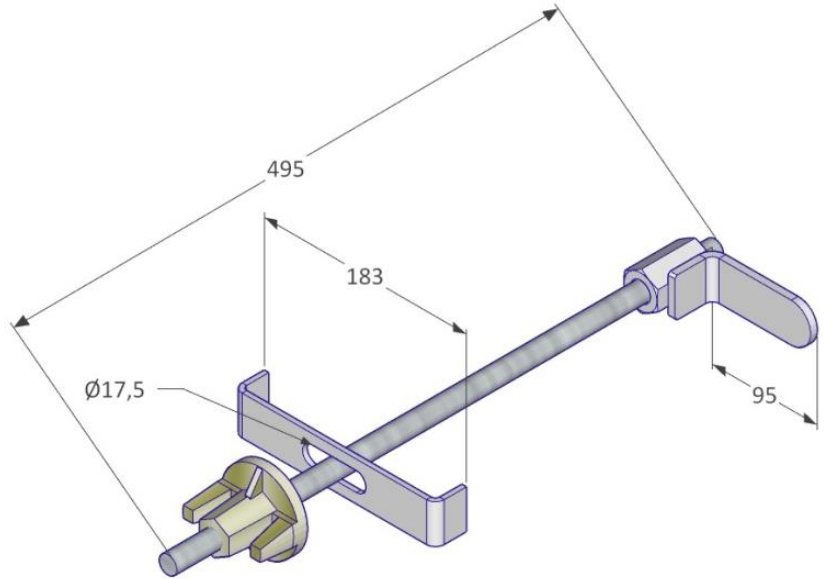


Steel / electro galvanized

### Description

The VT Shaftfix enables the Vivatec barriers to be securely attached to wall openings – such as elevator shafts – without drilling. It can also be easily attached to square pillars and thus saves mounting material.

In addition, the VT Shaftfix can also be attached to pillars on the edge of the ceiling and therefore forms a flexible edge protection in combination with the Vivatec Barriers.



500 pcs / Eurobox



1240 x 835 x 970 mm



1070kg

### General Safety

Health and Safety Regulation should be followed at all times. For more information → [viva-tec.com/safety](http://viva-tec.com/safety)