



170 x 155 x 40 mm



0,67 kg

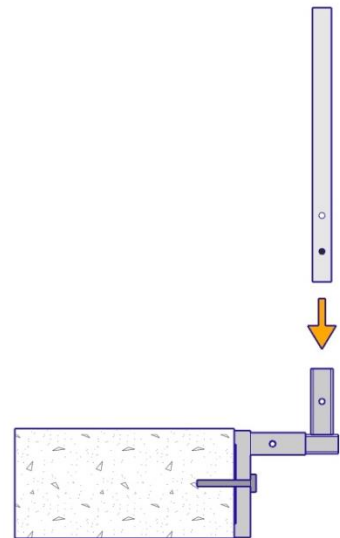
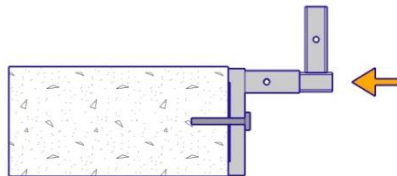
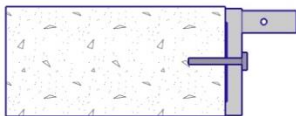
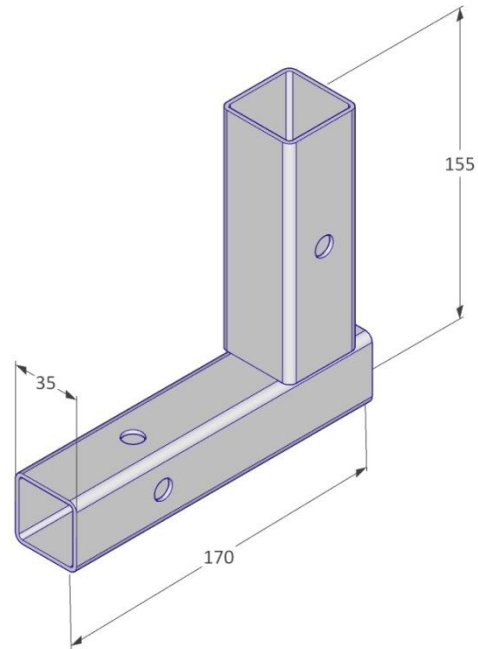


Steel / HDG

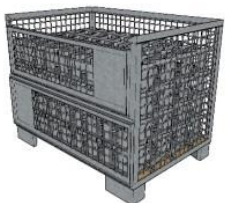
Description

The VT 90° can be used in a variety of ways and can be snapped into a wide variety of post attachments and fastenings.

If, for example, a bottom attachment intended for horizontal use is to be installed vertically, the VT 90° can be used to adapt the attachment.



mm



500 pcs / Eurobox



1240 x 835 x 970 mm



405 kg

Means of Fixation

The tensile load of the respective attachment shall be kept in mind.

General Safety

Health and Safety Regulation should be followed at all times. For more information → viva-tec.com/safety