



200 x 120 x 40 mm



1,41 kg



Steel / HDG

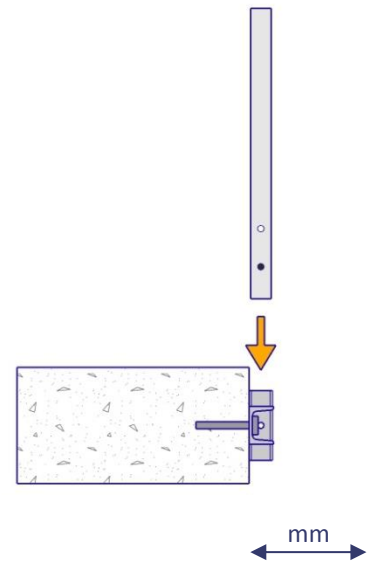
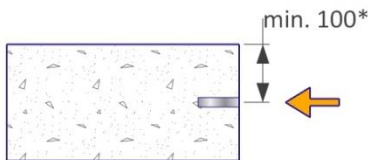
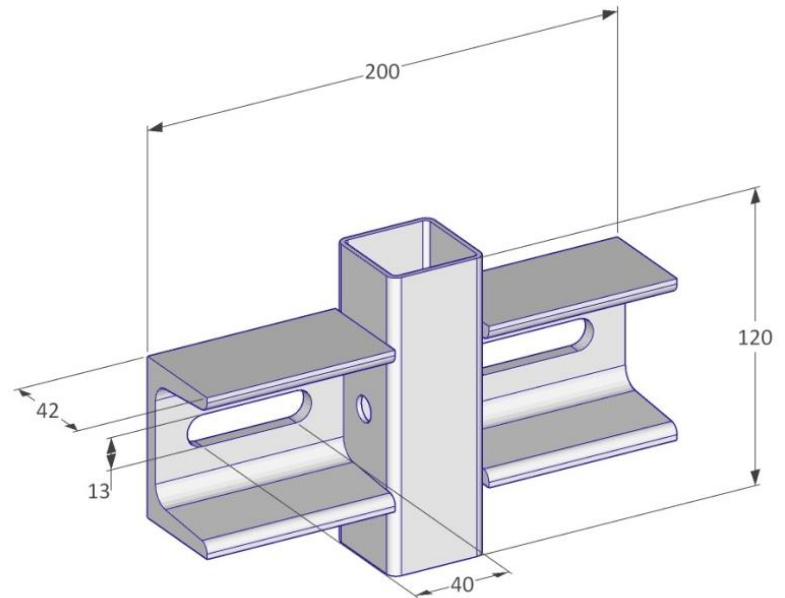


EN 13374, class A

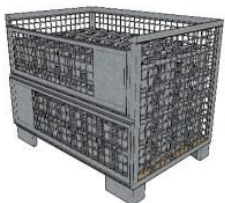
Description

The VT Balcony can be installed directly on the masonry or on the balcony. The two attachment points prevent this post holder from deflecting in any situation. The distance between the fasteners is min. 80 mm and maximum 160 mm.

This attachment can be used with any standard Vivatec post.



*may differ, please see charts of the respective screw manufacturer



250 pcs / Eurobox



1240 x 835 x 970 mm



423 kg

Means of Fixation

Tensile load of the screws min. 10 kN
 → Hilti HUS3-H10 L-130mm or the like / better, assembly torque limit min. 60 Nm

General Safety

Health and Safety Regulation should be followed at all times. For more information → viva-tec.com/safety