



950 x 95 x 80 mm



3,44 kg



Steel / HDG

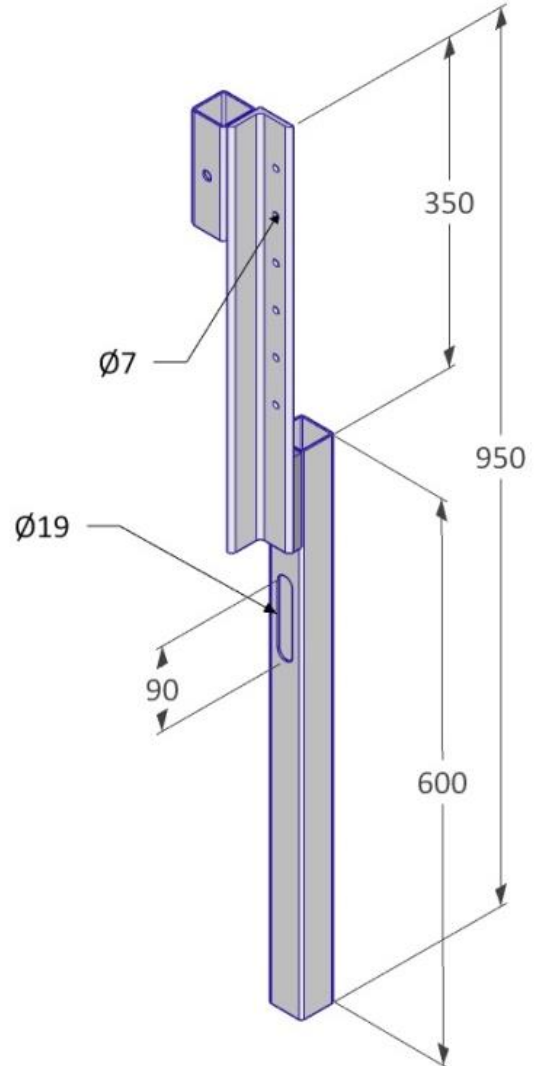
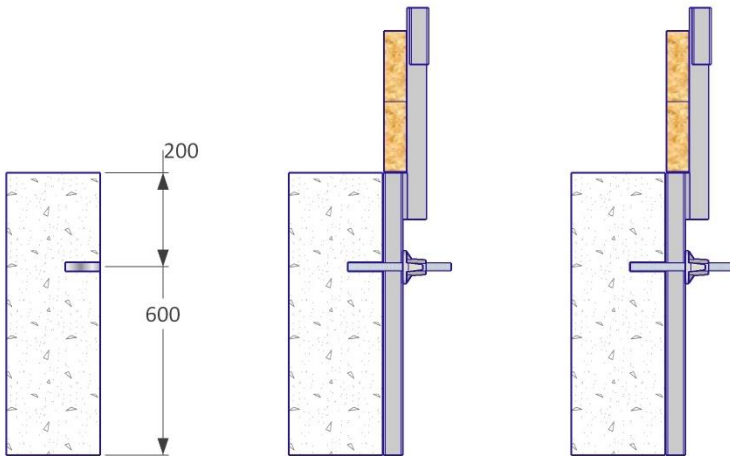


EN 13374, class A

Description

The VT Slabstopfix is mounted vertically and serves both as a post attachment and as a stop-end for the edge formwork.

An anchor point for threaded rod or anchor offers numerous possible uses. All square Vivatec posts fit into the post holder.



mm



150 pcs / Eurobox



1240 x 835 x 970 mm



586 kg

Means of Fixation

DW15-thread and threaded nut
Assembly torque limit min. 60 Nm

General Safety

Health and Safety Regulation should be followed at all times. For more information → viva-tec.com/safety