



200 x 120 x 40 mm



1,1 kg



Steel / HDG

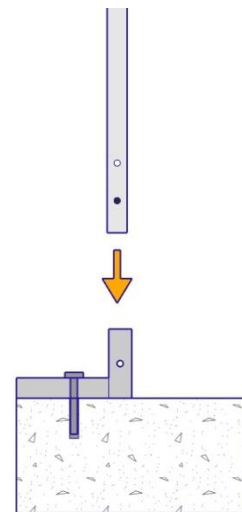
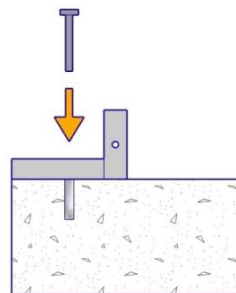
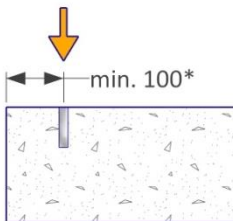
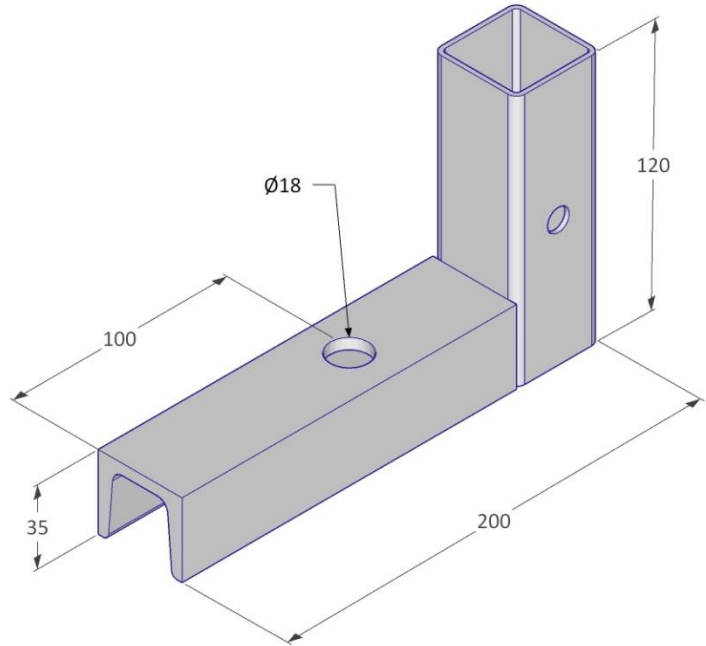


EN 13374, class A

### Description

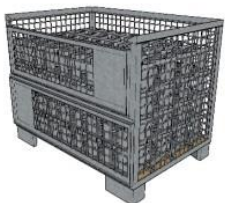
The VT Eco Foot has been developed to save costs and effort. This product is suitable for installation on all flat surfaces.

The VT Eco Foot is durable but also very compact and can be attached to concrete, wood or steel using various screws and dowels.



\*may differ, please see charts of the respective screw manufacturer

mm



250 pcs / Eurobox



1240 x 835 x 970 mm



345 kg

### Means of Fixation

Tensile load of the screws min. 10 kN  
 → Hilti HUS3-H10 L-130mm or the like / better, assembly torque limit min. 60 Nm

### General Safety

Health and Safety Regulation should be followed at all times. For more information → [viva-tec.com/safety](http://viva-tec.com/safety)