



238 x 195 x 42mm



1,30 kg



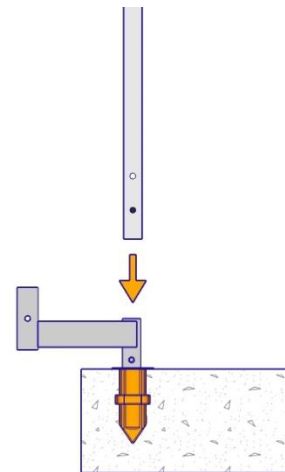
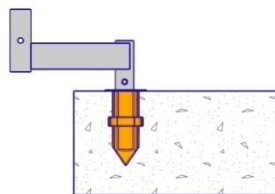
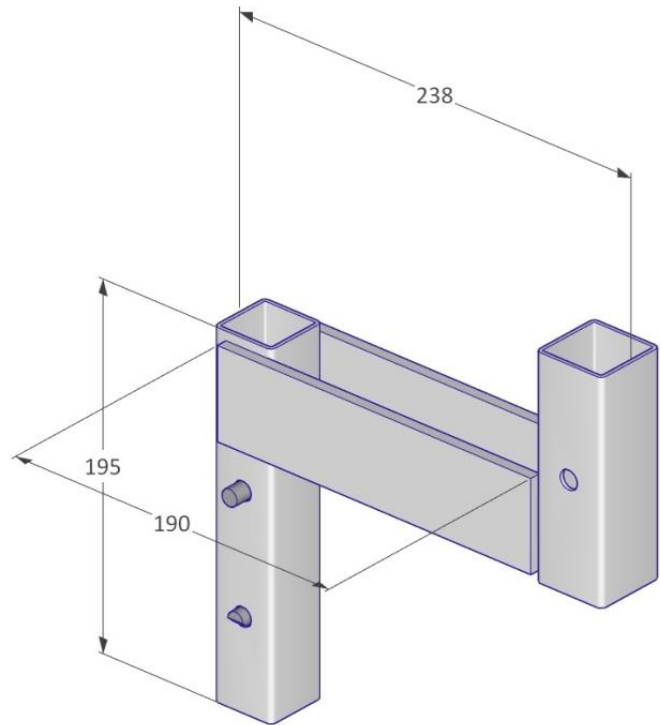
Steel / HDG

### Description

The VT Step In can be used in several different situations and serve as the basis for systematic edge protection.

On the one hand, it can be clicked into the VT Cast In concrete sleeve and thus serve as a post attachment.

On the other hand, the VT Step In can be plugged into numerous edge protection components. In this way, it moves the structural edge protection either approximately 200 mm outwards or inwards.



400 pcs / Eurobox



1240 x 835 x 970 mm



590 kg

### General Safety

Health and Safety Regulation should be followed at all times. For more information → [viva-tec.com/safety](http://viva-tec.com/safety)