



200 x 301 x 62 mm



1,3 kg



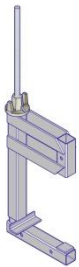
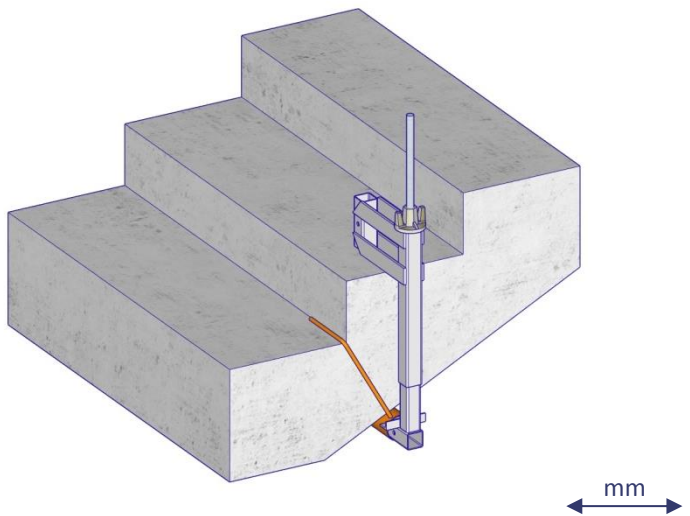
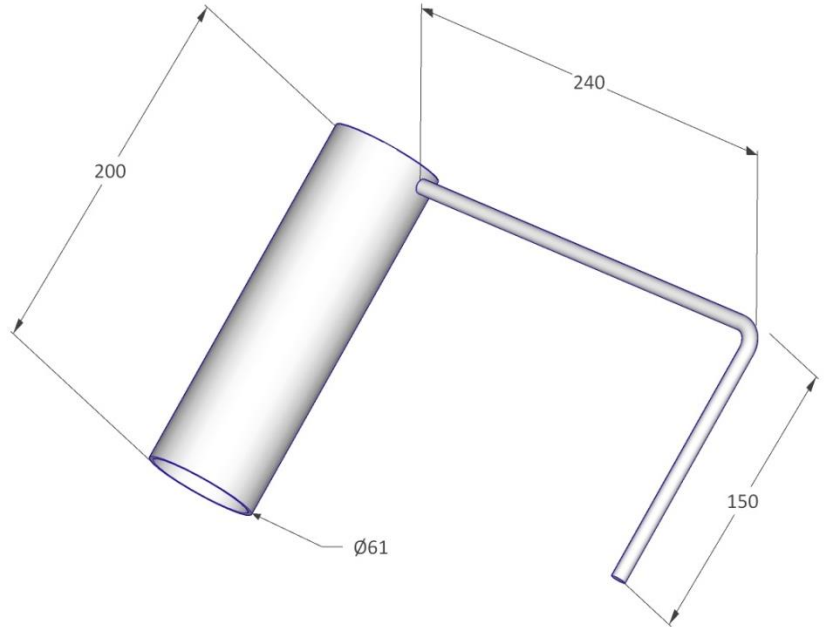
Steel / HDG

### Description

The VT Clamp Hook enables the VT Clamp XI 60 to be securely attached to the reveal of staircases.

The lower part of the base body of the clamp is inserted into the tube part of the clamp hook, whereby the welded-on hook is attached to the step below.

This means that system-compliant edge protection can be attached to staircases without drilling.



Used with VT Clamp XL 60 (50400028)



250 pcs / Eurobox



1240 x 835 x 970 mm



500 kg

### General Safety

Health and Safety Regulation should be followed at all times. For more information → [viva-tec.com/safety](http://viva-tec.com/safety)