



436 x 275 x 55 mm



4,7 kg



Steel / HDG

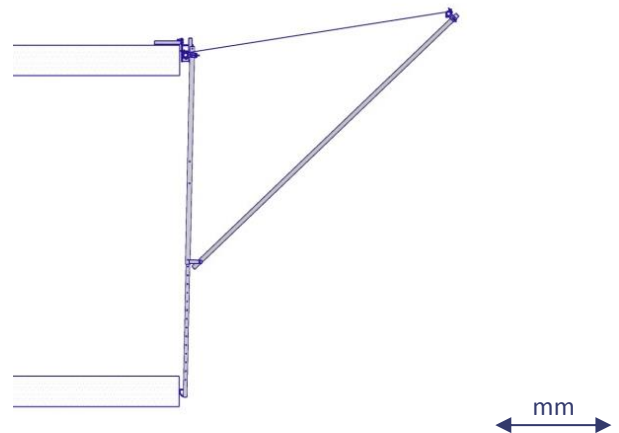
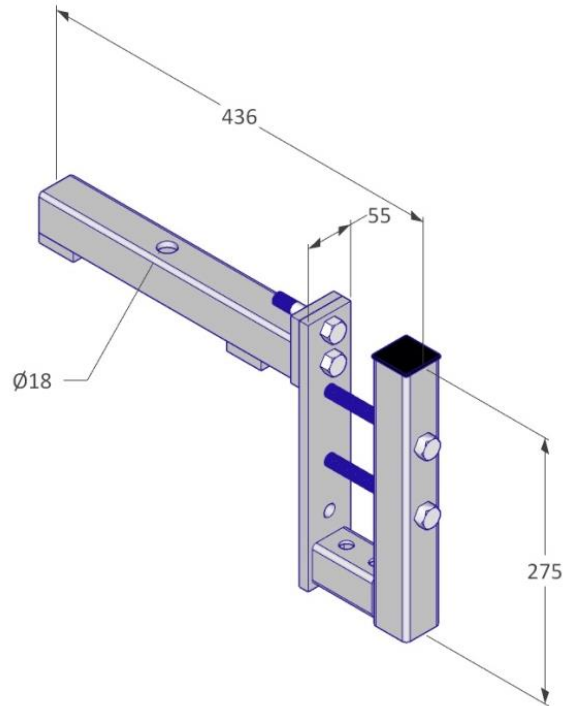


EN 1263-1

### Description

This type of attachment is used for assembly of the Vivatec Catch Fan on structural slabs. With the use of the Slab Fix as slab attachment the Catch Fans are either braced against the façade of the building by means of the body extension (Item No. 5050001) or, in combination with the kneebrace (Item No. 5050002), anchored over the open concrete edge of a structural slab.

Two Slab Fix are required to securely mount the Catch Fan. If one wants to apply the Slab Fix directly at the façade it can be easily rearranged into a Wall Fix (5050003\_W) by unfasten the screws and re-order the components.



50 pcs / Euro Pallet



1200 x 800 x 500 mm



255 kg

### Means of Fixation

Tensile load of the screws min. 10 kN  
→ Hilti HUS3-H10 L-130mm or the like / better, assembly torque limit min. 60 Nm

### General Safety

Health and Safety Regulation should be followed at all times. For more information → [viva-tec.com/safety](http://viva-tec.com/safety)