



575 x 118 x 55 mm



4,7 kg



Steel / HDG

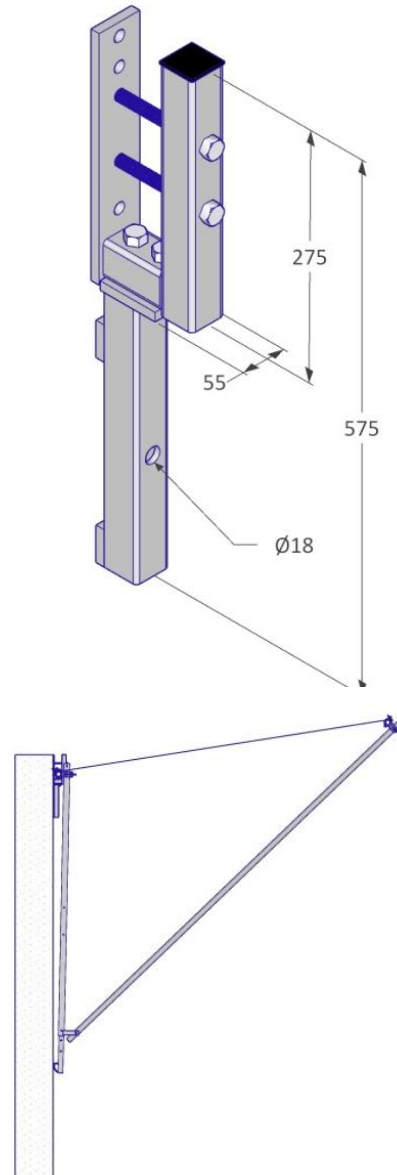


EN 1263-1

Description

This type of attachment is used for assembly of the Vivatec Catch Fan on facades. With the use of the Wall Fix as facade attachment the Catch Fans are either braced against the façade of the building by means of the body extension (Item No. 5050001) or, in combination with the kneebrace (Item No. 5050002), anchored over the open concrete edge of a structural slab.

Two Wall Fix are required to securely mount the Catch Fan. If one wants to apply the Wall Fix directly on top of the slab it can be easily rearranged into a Slab Fix (5050003_S) by unfasten the screws and re-order the components.



mm



50 pcs / Euro Pallet



1200 x 800 x 500 mm



255 kg

Means of Fixation

Tensile load of the screws min. 10 kN
→ Hilti HUS3-H10 L-130mm or the like / better, assembly torque limit min. 60 Nm

General Safety

Health and Safety Regulation should be followed at all times. For more information → viva-tec.com/safety