



4000 mm



87 kg



Steel / Aluminium



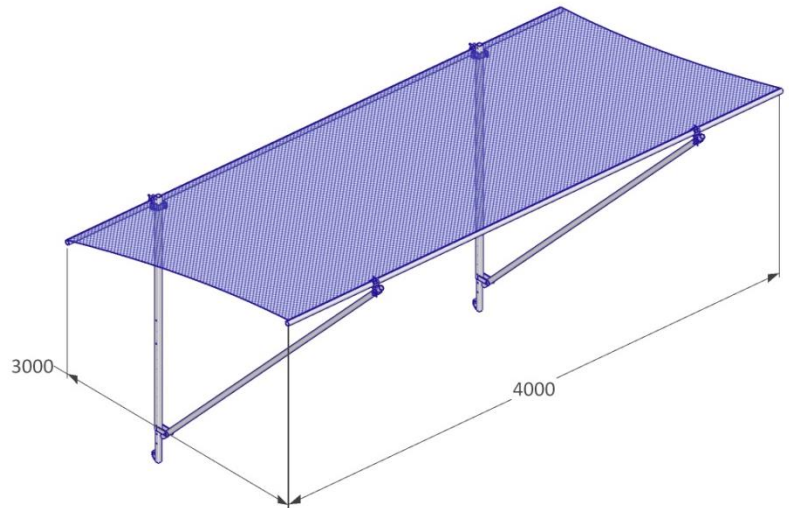
EN 1263-1

Description

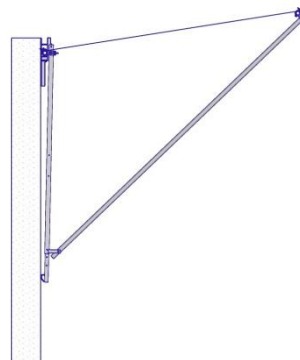
Thanks to its flexible application options, the Vivatec Catch Fan 4m can be adapted to a wide variety of construction site situations. Use in the tightest of spaces is possible without any problems, since the Vivatec Catch Fan can be folded up towards the facade to provide access to cranes etc.

By cantilevering 3m, the Vivatec Catch Fan creates a corresponding protection zone in front of the building against falling objects, e.g. material, tools and the like.

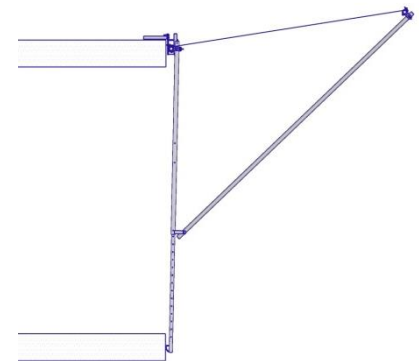
The double net has a mesh size of 60x60 and 20x20.



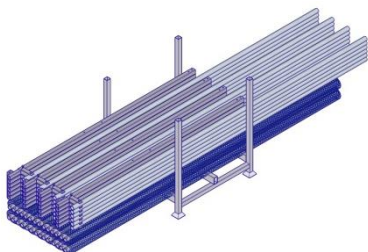
Wall



Slab



mm



15 pcs / Stillage



4000 x 1133 x 1180 mm



1338 kg

Means of Fixation

Tensile load of the screws min. 10 kN
 → Hilti HUS3-H10 L-130mm or the like / better, assembly torque limit min. 60 Nm

General Safety

Health and Safety Regulation should be followed at all times. For more information → viva-tec.com/safety



4000 mm



87 kg



Steel / Aluminium

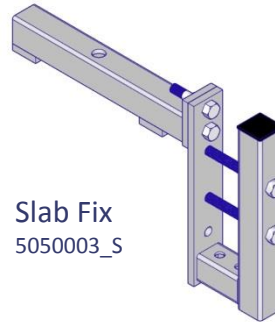


EN 1263-1

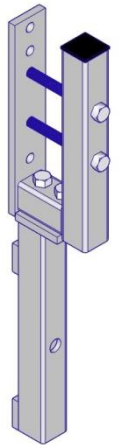
Description

Several attachments are available for the Vivatec Catch Fan. So it can be attached to the slab edge, on the wall and on scaffold.

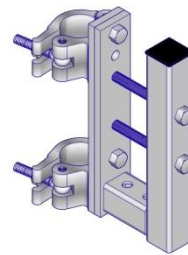
Up to a ceiling height of 3800 mm, the Vivatec Catch Fan can be comfortably assembled by pulling out the base support extension. Larger than 3800 mm, the base support extension secures the Catch Fan with a kneebrace under the edge of the ceiling.



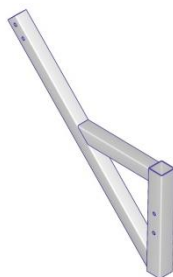
Slab Fix
5050003_S



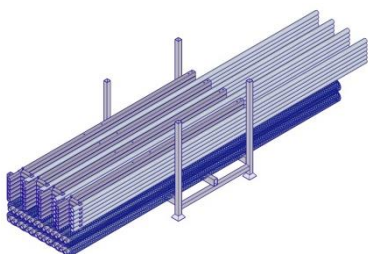
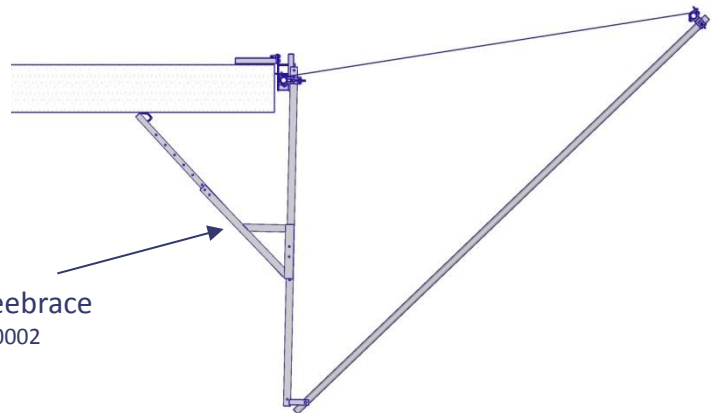
Wall Fix
5050003_W



Scaffold Fix
5050004



Kneebrace
5050002



15 pcs / Stillage



4000 x 1133 x 1180 mm



1338 kg

Means of Fixation

Tensile load of the screws min. 10 kN
 → Hilti HUS3-H10 L-130mm or the like / better, assembly torque limit min. 60 Nm

General Safety

Health and Safety Regulation should be followed at all times. For more information → viva-tec.com/safety