



2935 x 1137 x 120 mm



190 kg



Steel / HDG



EN 12811

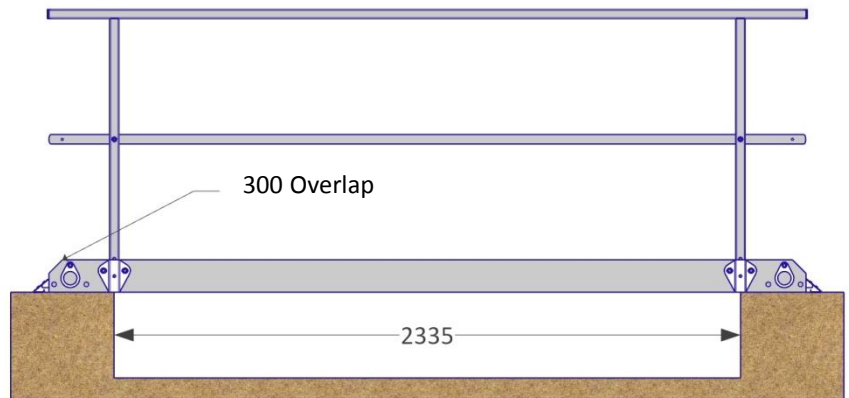
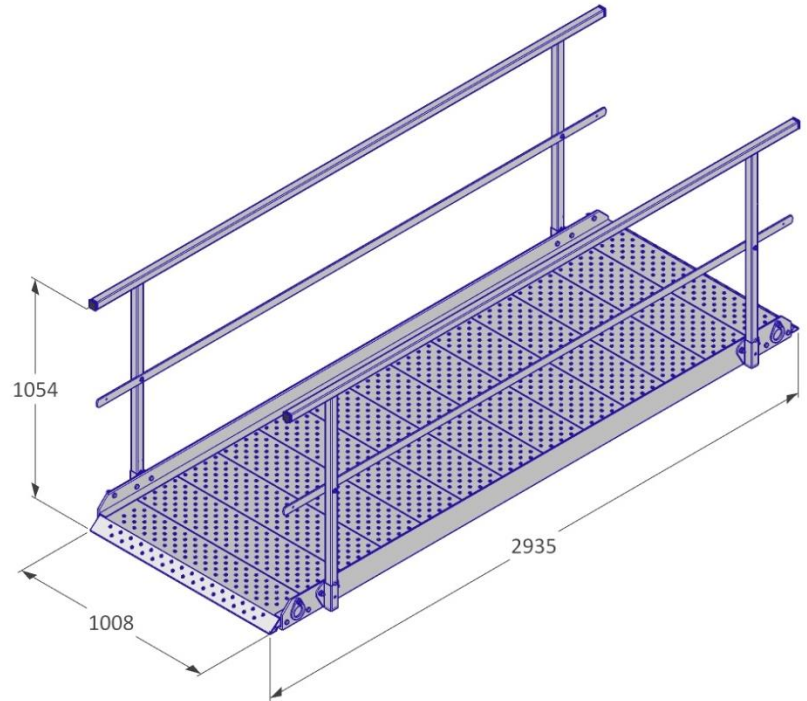
Description

The standard-compliant Vivatec Trench Bridges made of steel enable a safe transition in any position.

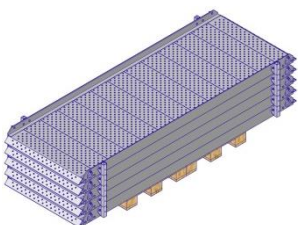
They can be used and implemented flexibly and allow full business operations and passenger traffic during construction work. The handrails are also quickly installed.

Per-assembled crane hooks enable fast and safe crane lifting and moving.

The Vivatec Trench Bridge 3m supports a maximum of **5 kN/m²**.



mm



5 pcs / 2 x Euro Pallet



2935 x 1137 x 900 mm



992 kg

General Safety

Health and Safety Regulation should be followed at all times. For more information → viva-tec.com/safety