



410 x 40 x 80 mm



1,43 kg



Steel / HDG

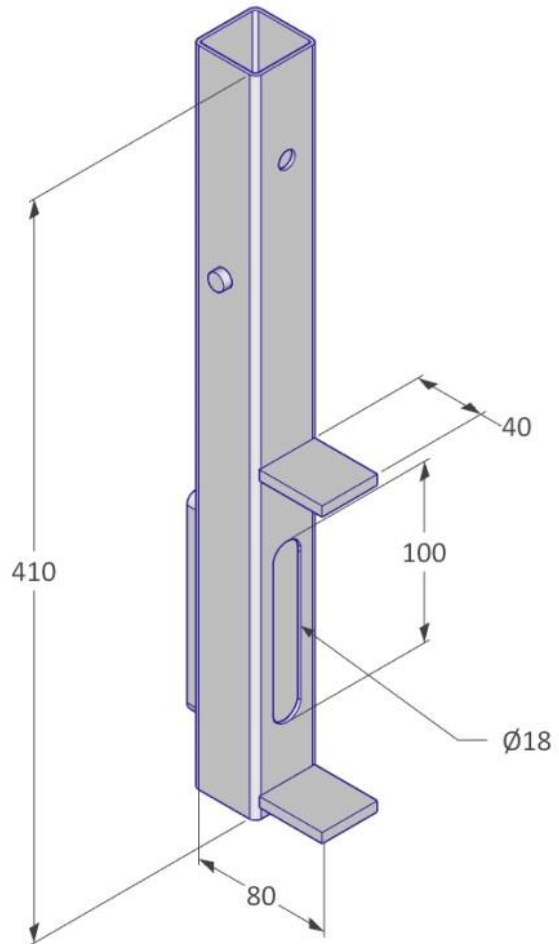


EN 13374, class A

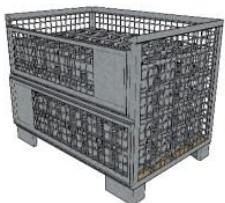
Description

The VT Frontfix Mini is vertically mounted and serves both as an edge protection attachment and a limit for stop-ends.

The single fixation point offers versatile fields of application and fixation, for example via threaded rod or anchor.



mm



650 pcs / Eurobox



1240 x 835 x 970 mm



1,000 kg

Means of Fixation

DW15-thread and threaded nut
 Assembly torque limit min. 60 Nm

General Safety

Health and Safety Regulation should be followed at all times. For more information → viva-tec.com/safety



410 x 40 x 80 mm



1,43 kg



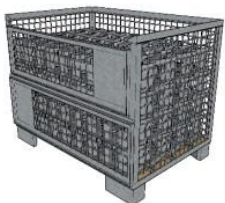
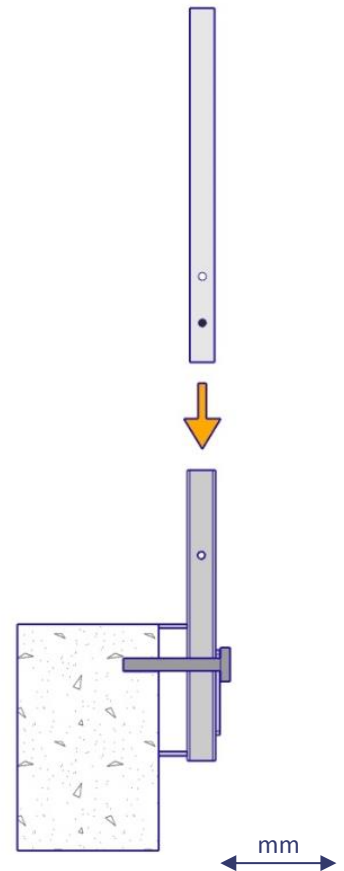
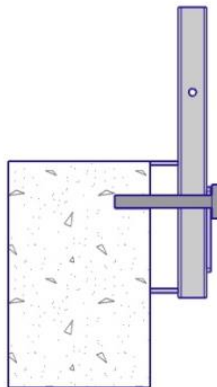
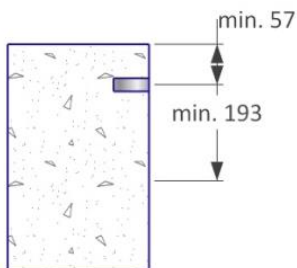
Steel / HDG



EN 13374, class A

Description

The VT Frontfix Mini is used if the circumstances on site make it impossible to use the VT Frontfix or the VT Slabstopfix like above window openings.



650 pcs / Eurobox



1240 x 835 x 970 mm



1,000 kg

Means of Fixation

DW15-thread and threaded nut assembly torque limit min. 60 Nm

General Safety

Health and Safety Regulation should be followed at all times. For more information → viva-tec.com/safety