



250 x 140 x 155 mm



1,14 kg



Steel / HDG



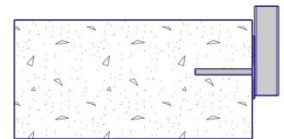
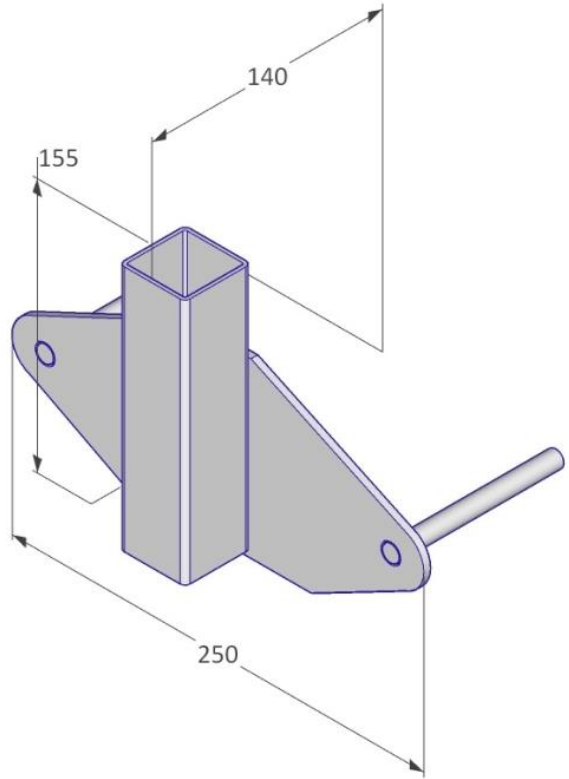
EN 13374, class A

Description

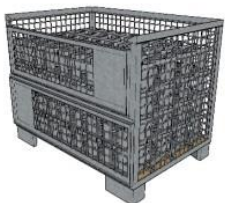
The VT Precast Attachment 200 is used to hold an edge protection post on prefabricated concrete ceilings.

This attachment, which was designed as a lost component, is delivered directly to the precast plant of choice where it is cast into the concrete ceilings.

After positioning of the precast elements on the construction site, all you have to do is insert the post and hang in the mesh barrier respectively attach wooden boards and the edge protection is installed. A more complex assembly of fasteners is thus eliminated, which leads to considerable time savings.



mm



500 pcs / Eurobox



1240 x 835 x 970 mm



640 kg

General Safety

Health and Safety Regulation should be followed at all times. For more information → viva-tec.com/safety