



1133 x 1133 x 1180 mm



32,57 kg

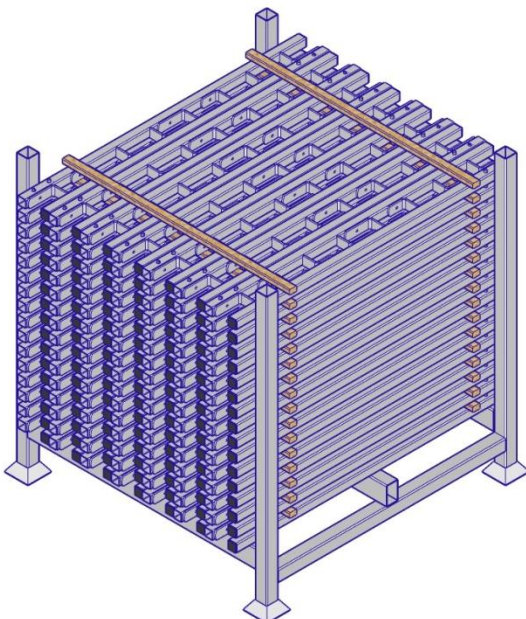
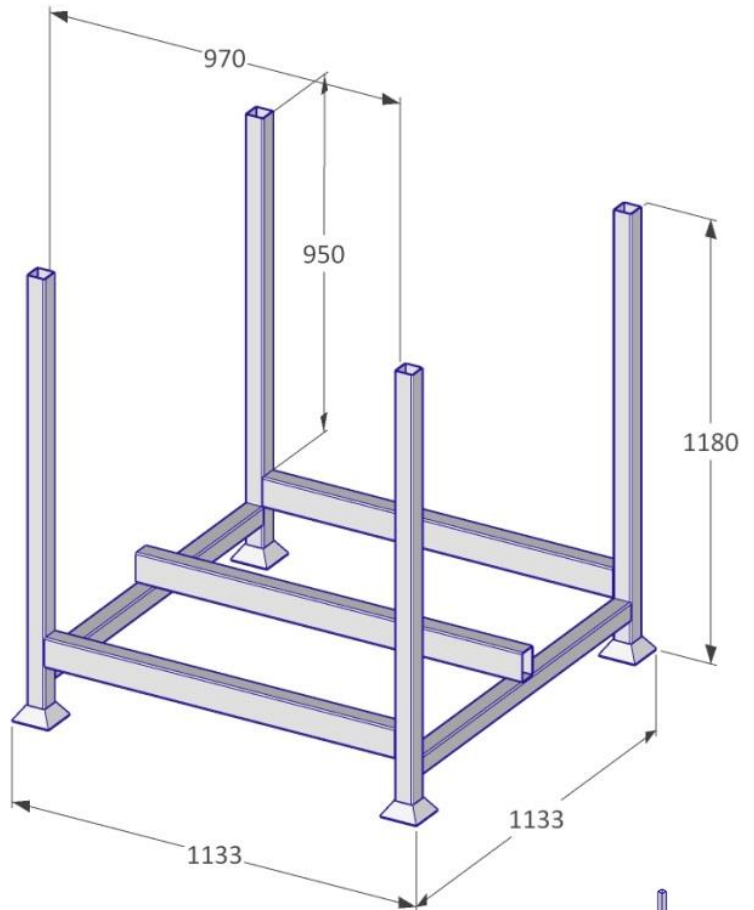


Black steel

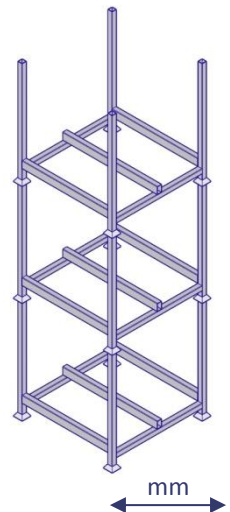
Description

The VT Post Stillage is used to safely transport and store all available Vivatec posts. Several stillages can be stacked easily.

The filling dimensions of the VT Post Stillage are 970 x 970 x 950. A large quantity of posts can be put into this stillage, for example 210 x VT Scan Post 1200.



Max. 3 pieces stacked



General Safety

Health and Safety Regulation should be followed at all times. For more information → viva-tec.com/safety