

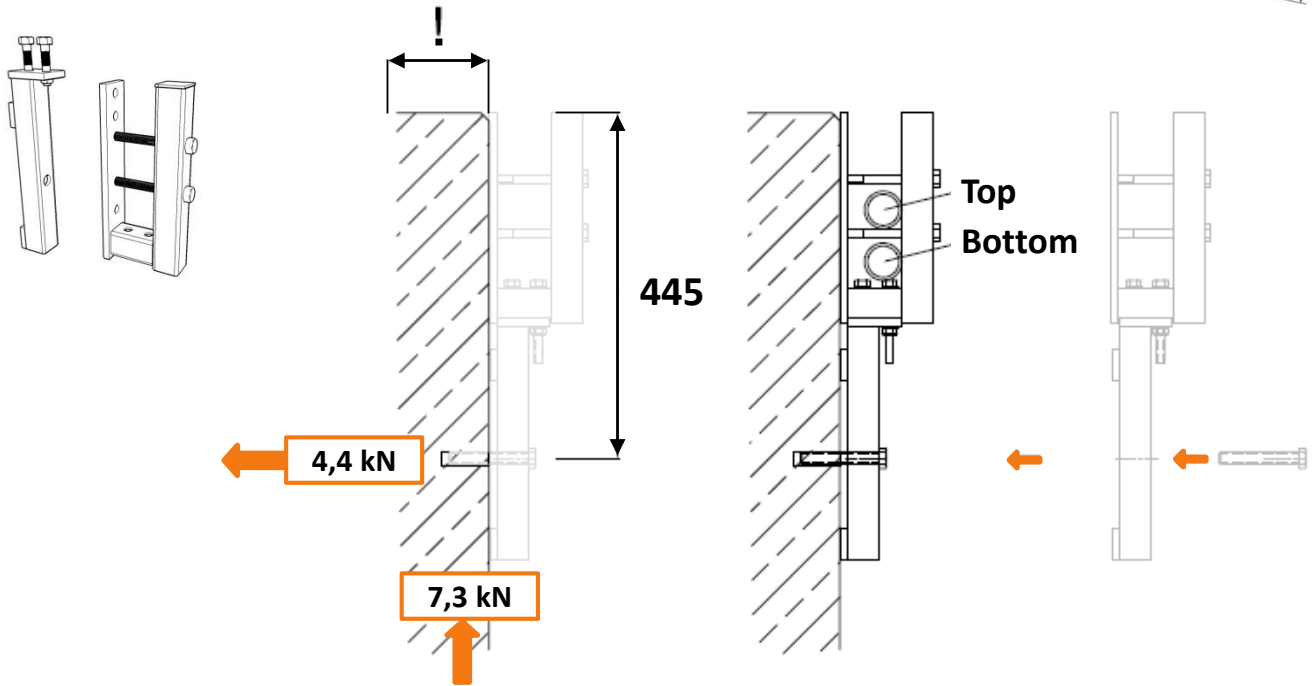
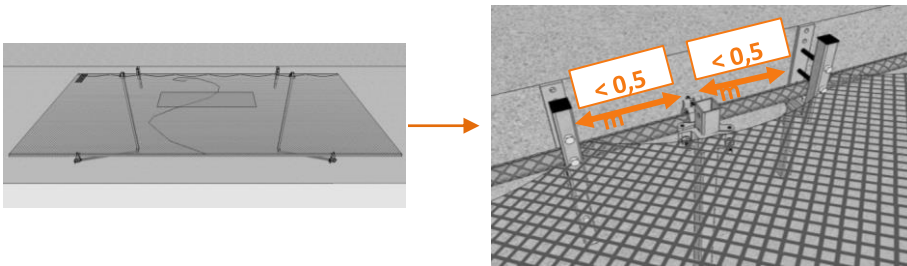
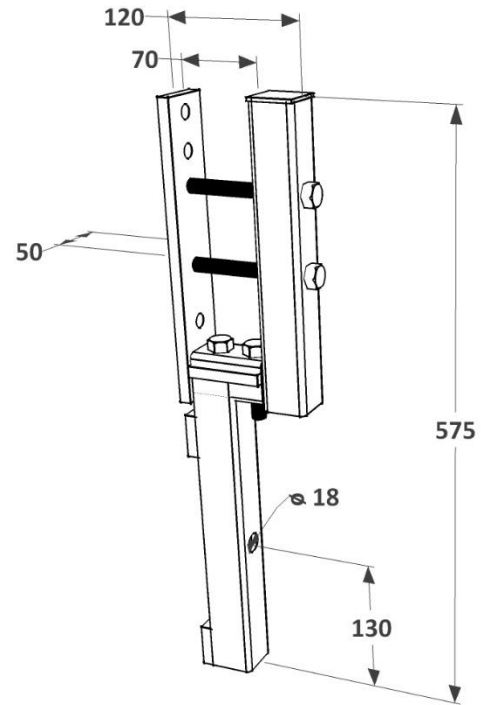
 575 x 120 x 50 mm

 4,69 kg

 hot-dip galvanized steel

 EN 1263-1



Tools: