


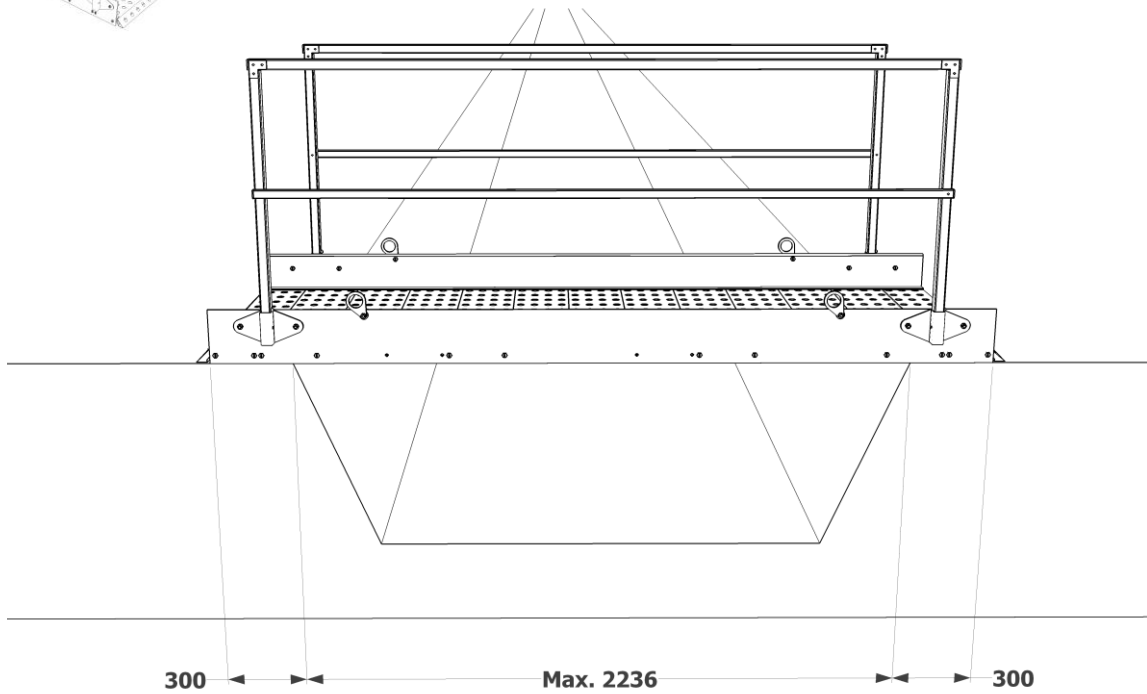
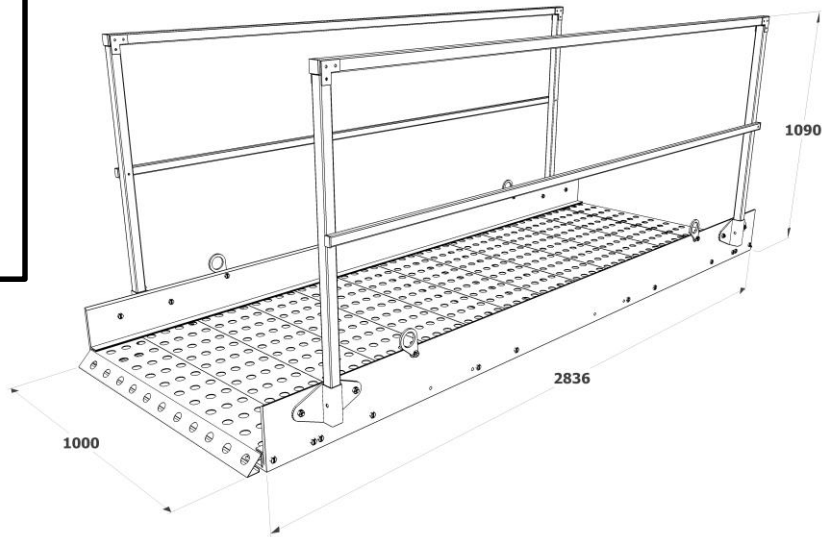
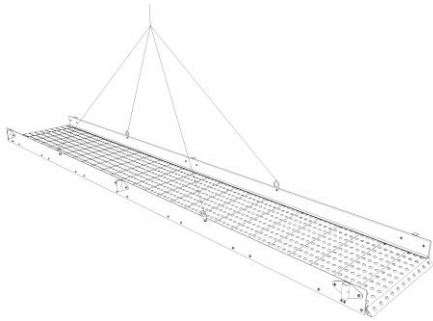
 300 x 100 x 110

 236 kg

 hot-dip galvanized steel

 EN 12811



Tools: