


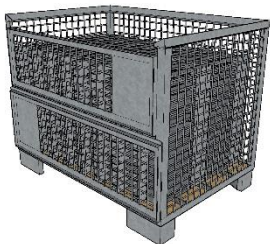
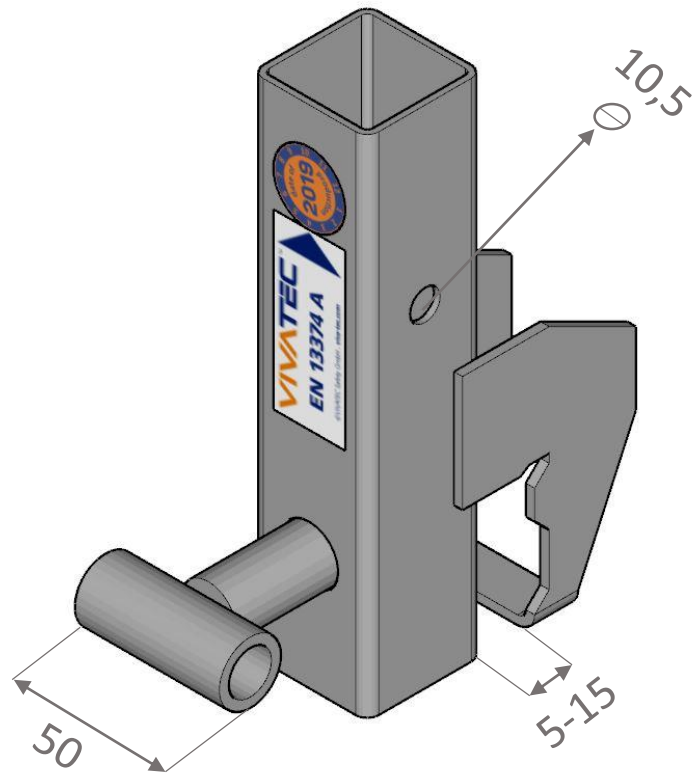
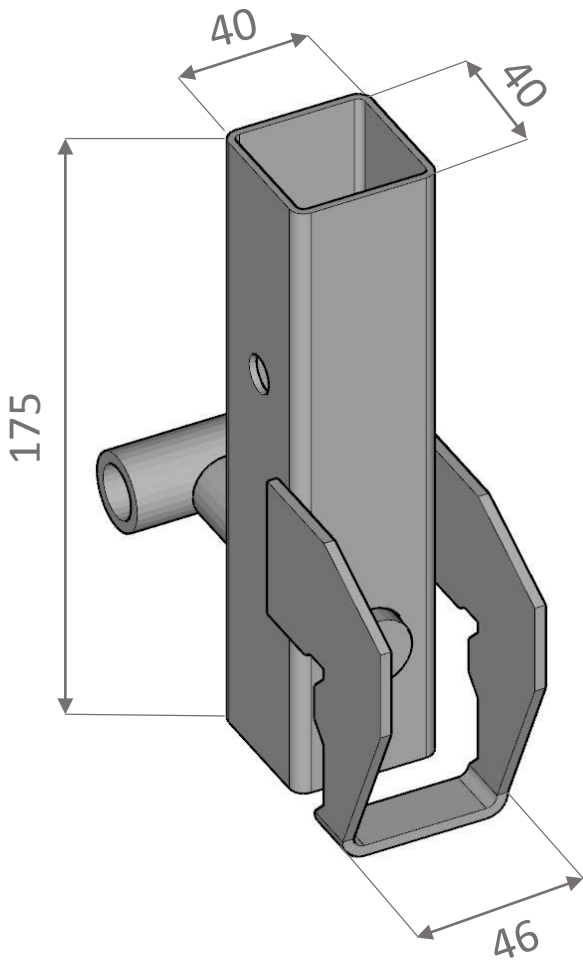
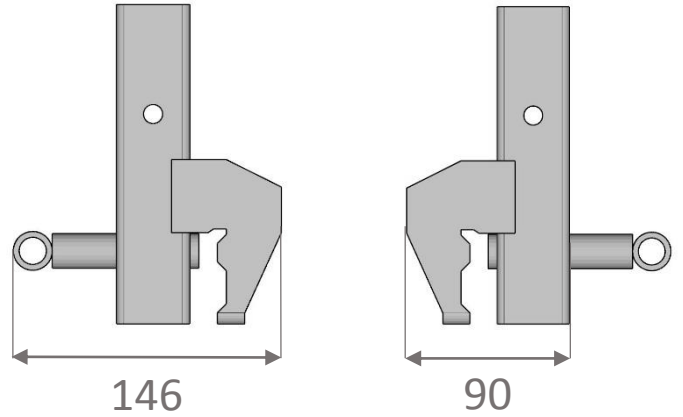

 175 x 146 x 46 mm


 0,98 kg


 hot-dip galvanized steel

 EN 13374, class A



 250 pcs, Euro Box

 1240 x 840 x 970 mm

 315 kg

Tools:

