

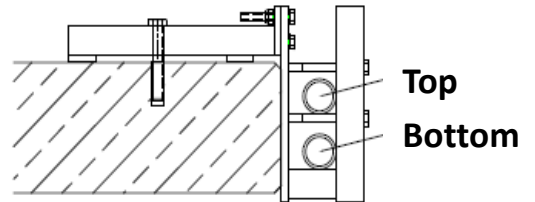
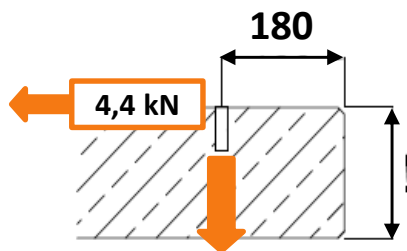
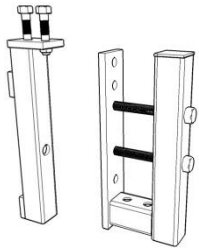
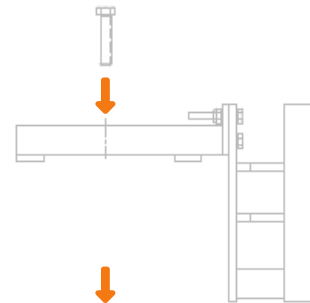
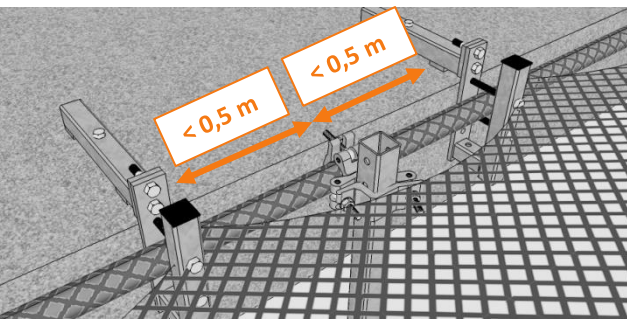
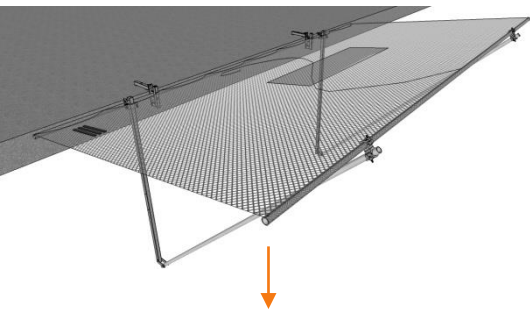
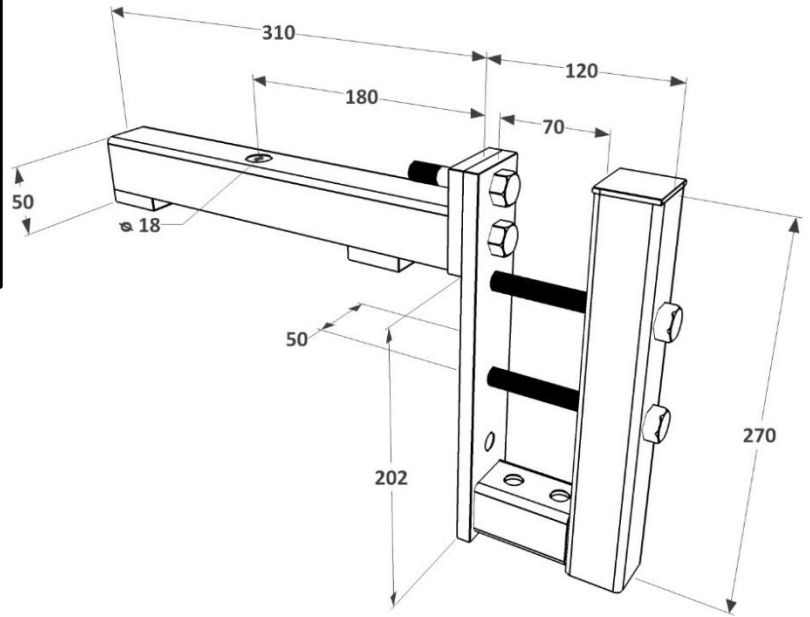
 270 x 430 mm

 4,69 kg

 hot-dip galvanized steel

 EN 1263-1



27 kN → Kneebrace 50500021

5,4 kN → Extension 5050001



Tools: