

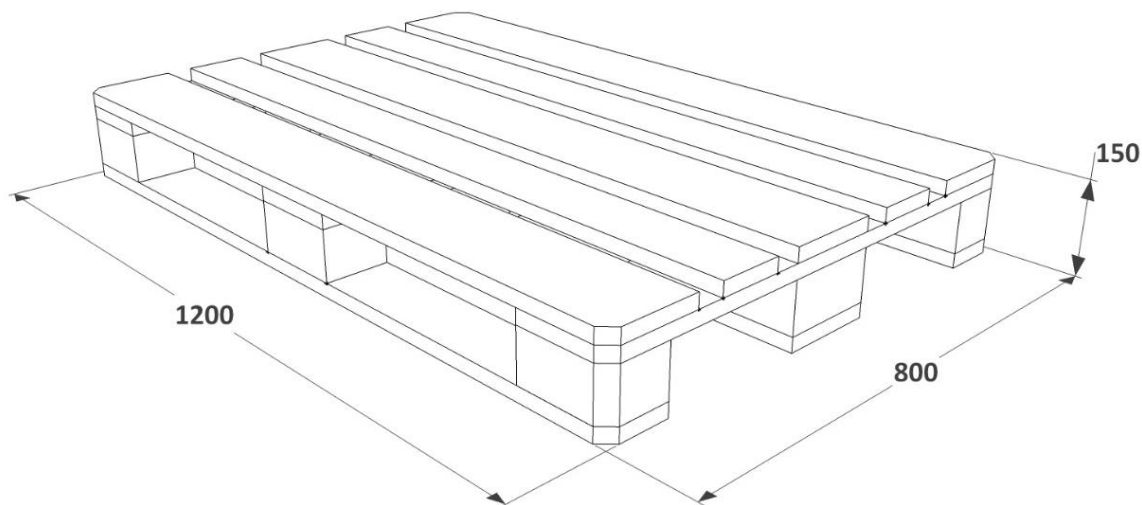
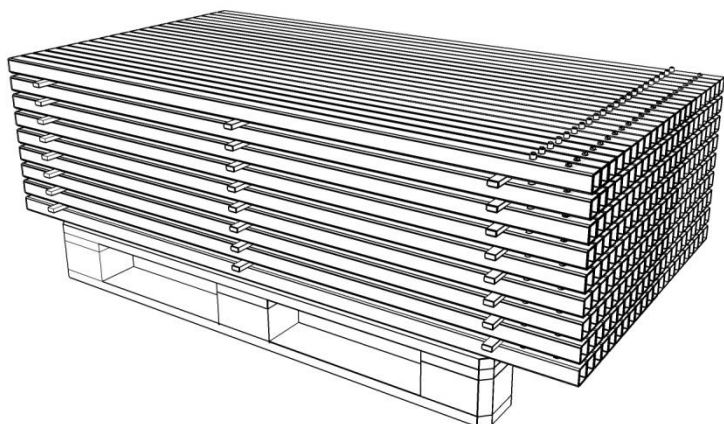
 120 x 80 x 15 cm

 20 kg


 hot-dip galvanized steel

 §

Max. 2000 kg



 1 pcs

 120 x 80 x 15 cm

 20 kg

Tools: