

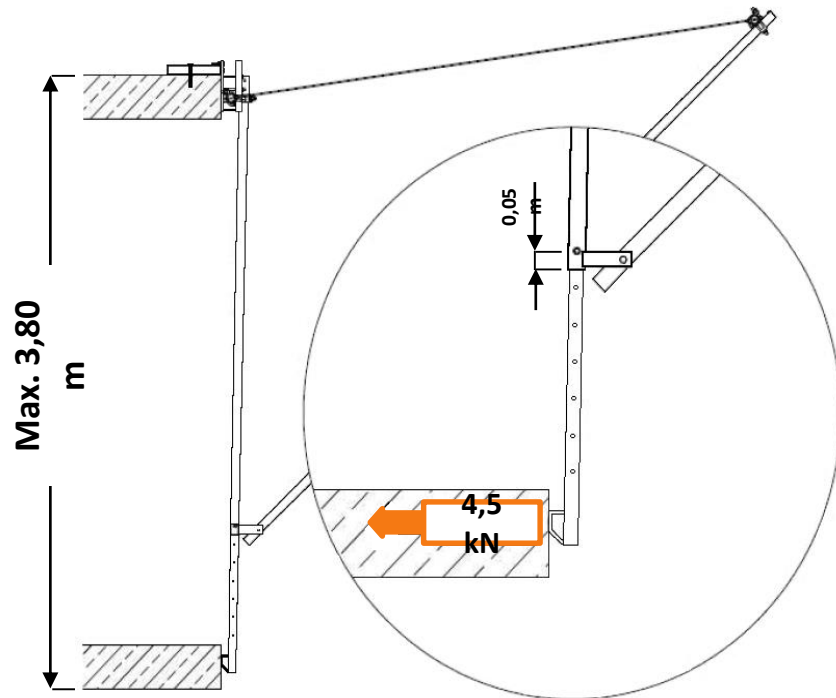
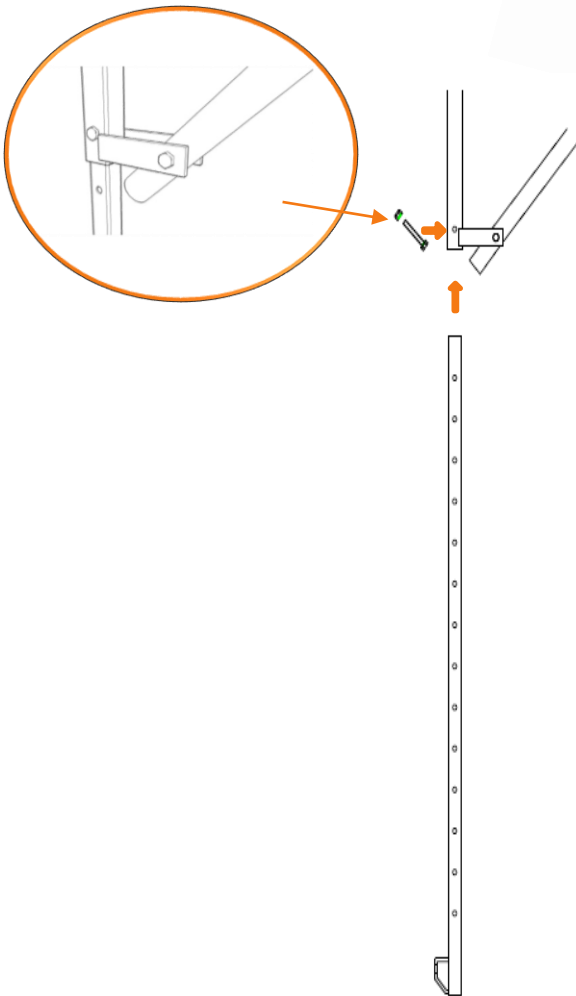
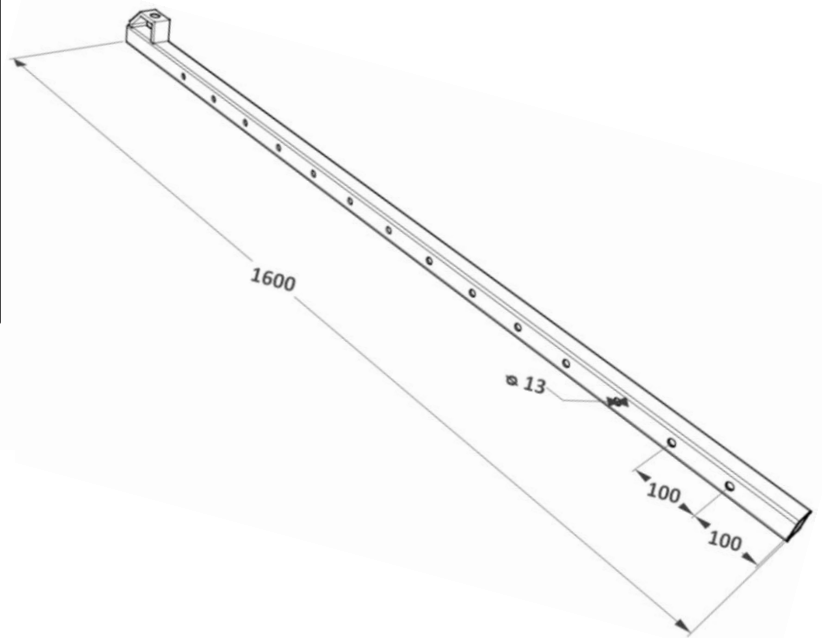
 1600 mm

 5,97 kg

 hot-dip galvanized steel

 EN 1263-1



Tools: