


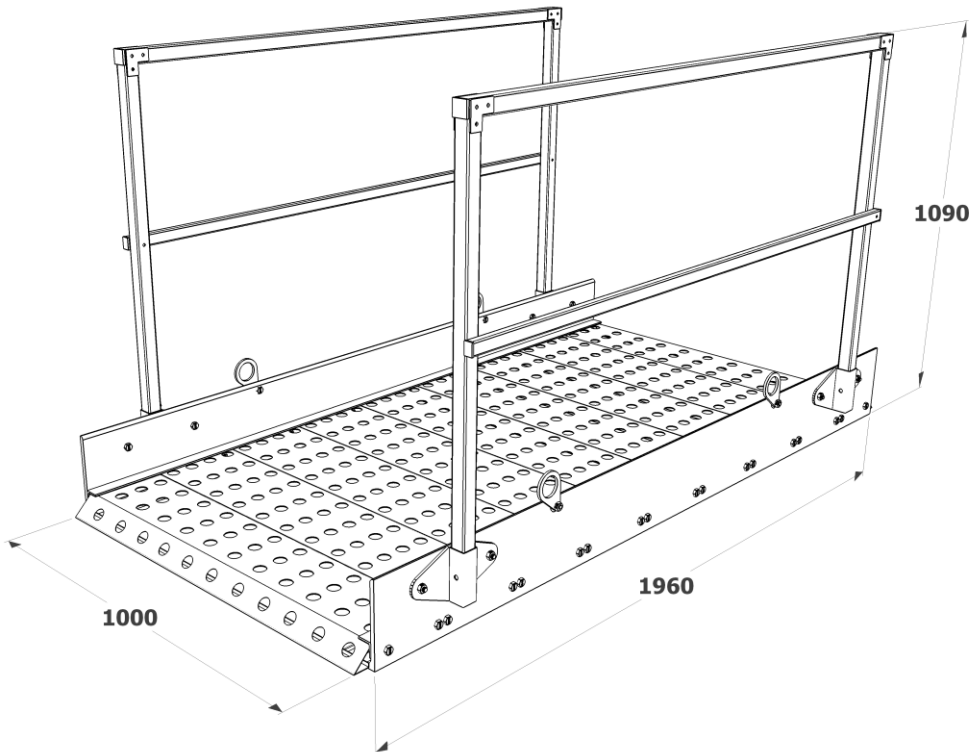
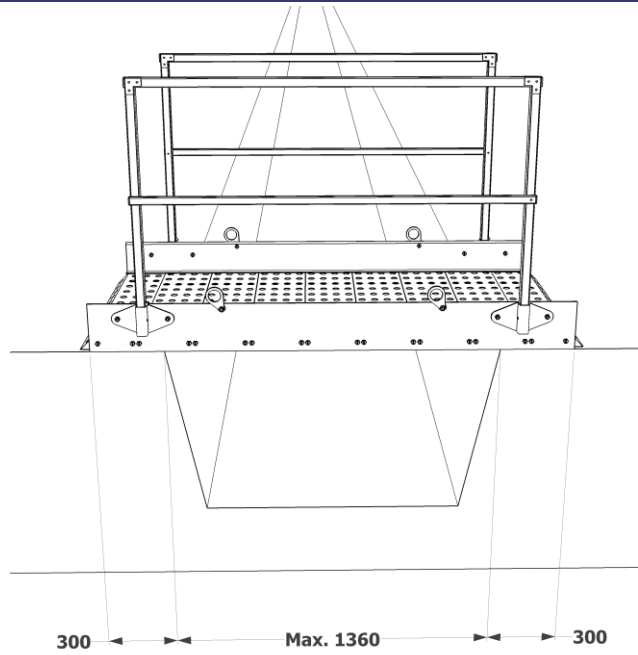
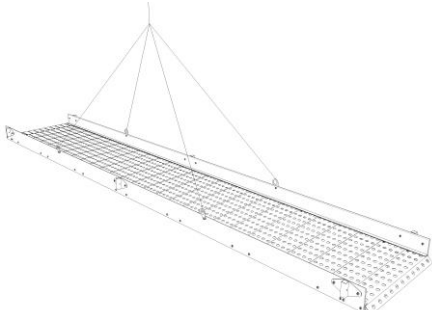
 200 x 100 x 110 cm

 156 kg

 hot-dip galvanized steel

 EN 12811



Tools: